

# Installation and Maintenance manual

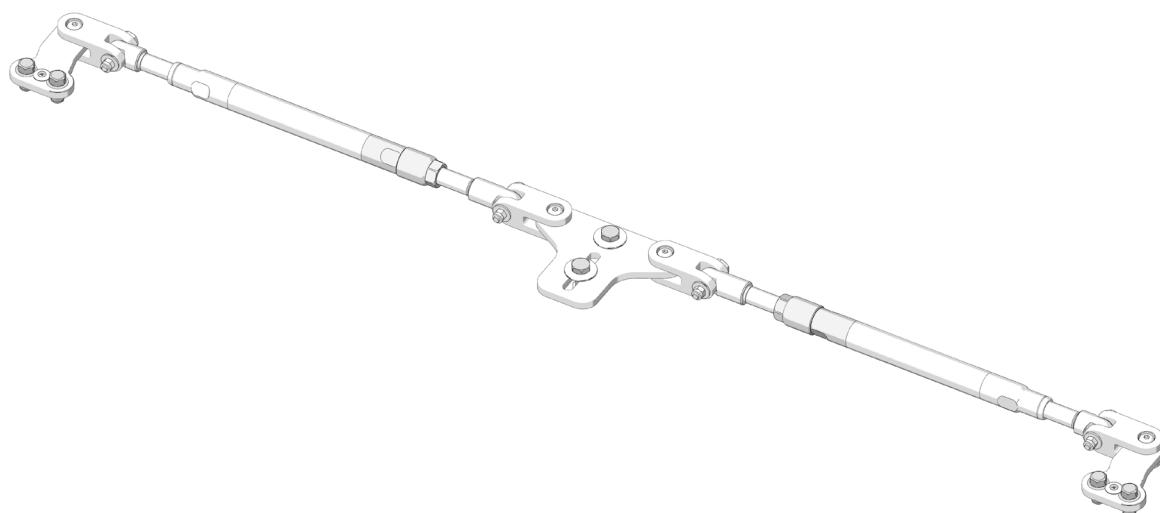
## TIE BAR

### A97

ENGLISH

ITALIANO

FRANÇAIS



CE



EN  
page 2

IT  
pag. 17

FR  
page 33



PARTNER





Dear Customer,

We would like to thank you for choosing an **ULTRAFLEX** product.

**ULTRAFLEX** has been a leader in steering systems for pleasure and professional boats for many years. **ULTRAFLEX** production is since ever synonymous of reliability and safety.

All **ULTRAFLEX** products are designed and manufactured to ensure the best performance. To ensure your safety and to maintain a high quality level, **ULTRAFLEX** products are guaranteed only if they are used with original spare parts.

**ULTRAFLEX** and **UFLEX** Quality Management Systems are certified by the Det Norske Veritas - Germanischer Lloyd (DNV-GL), in conformity with the UNI EN ISO 9001:2015 rule.

The quality management system involves all the company resources and processes starting from the design, in order to:

- ensure product quality to the customer;
- maintain and improve the quality standards constantly;
- pursue a continuous process improvement to meet the market needs and to increase the customer satisfaction

**ULTRAFLEX** Environmental Management System is certified by the Det Norske Veritas - Germanischer Lloyd (DNV-GL), in conformity with the UNI EN ISO 14001:2015 rule.

Products for pleasure boats are constantly tested to check their conformity with the 2013/53/EU.



"**ULTRAFLEX** has over 80 years of experience in the marine industry and is a world leader in the production of mechanical, hydraulic and electronic steering systems, control boxes and steering wheels for any kind of pleasure, fishing or commercial boats.

The key factors which explain the increasing success of our products all over the world are the reliability of our products and the before and after sale service, the quality of the company organization and of the human resources and the continuous spending in research and development".

**ULTRAFLEX Sp.A.**

14015 Casella (Genova) Italia - Via Crose, 2

# TABLE OF CONTENTS

DOCUMENT REVISIONS.....	4
USE OF THE MANUAL AND SYMBOLS USED.....	5
INFORMATIVE LETTER.....	6
WARRANTY.....	6

## SECTION 1 - PRODUCT DESCRIPTION

1.1 GENERAL FEATRES.....	7
1.2 PACKAGING CONTENTS.....	8

## SECTION 2 - INSTALLATION

2.1 NECESSARY TOOLS.....	9
2.2 A97 INSTALLATION.....	9

## SECTION 3 - MAINTENANCE

3.1 ORDINARY MAINTENANCE.....	14
3.2 EXTRAORDINARY MAINTENANCE.....	14

## SECTION 4 - DISMANTLING

4.1 DISMANTLING.....	15
----------------------	----











## DOCUMENT REVISIONS

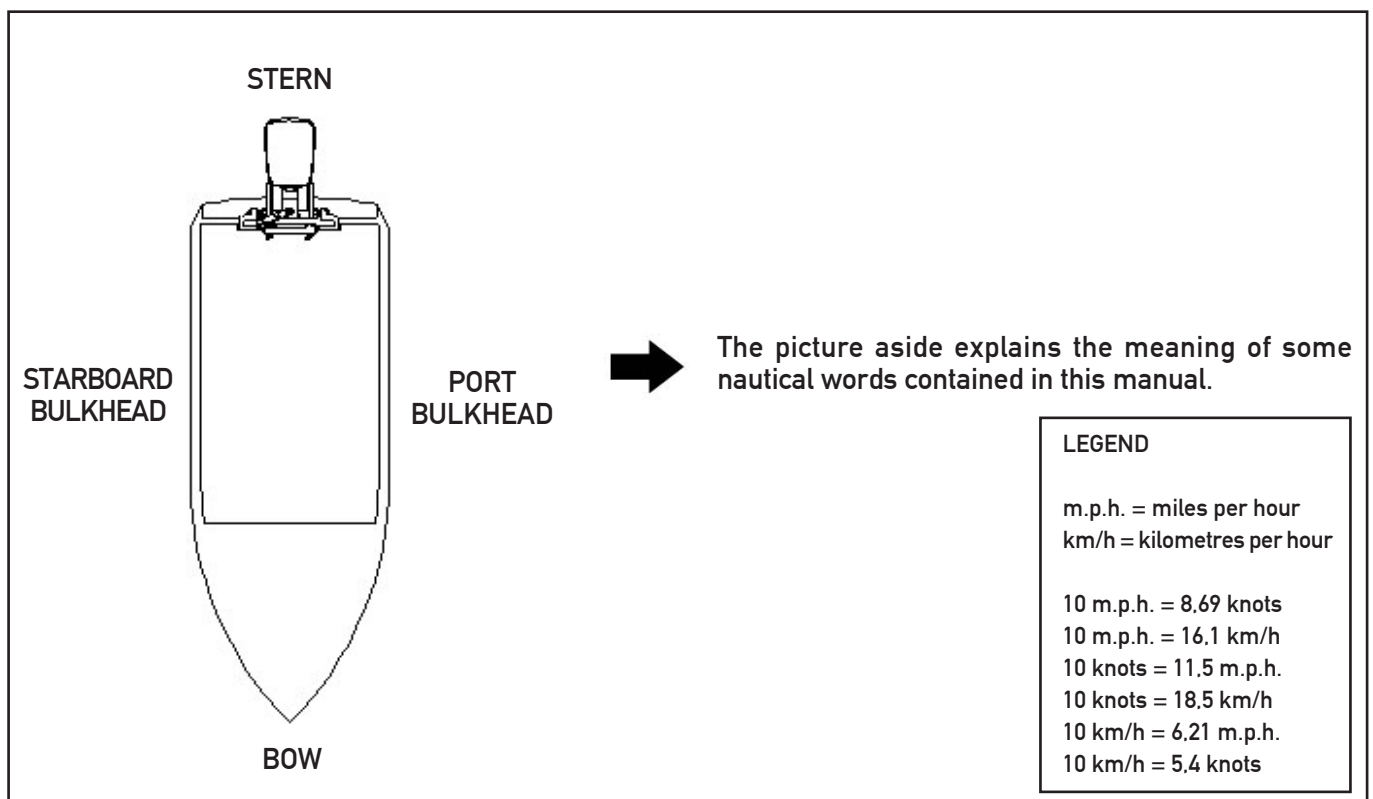
Rev.	Date	Revision description
0	18/12/2020	First edition

### USE OF THE MANUAL AND SYMBOLS USED

THE INSTALLATION AND MAINTENANCE MANUAL is the document accompanying the product from its sale to its replacement and discharge. The manual is an important part of the product itself. It is necessary to read carefully the manual, before ANY ACTIVITY involving the product, handling and unloading included.

In this manual the following symbols are used to ensure the user safety and to guarantee the correct operation of the product:

- 
DANGER

 Immediate hazards which CAUSE severe personal injury or death.
- 
WARNING

 Denotes that a hazard exists which can result in injury or death if proper precautions are not taken.
- 
CAUTION

 Denotes a reminder of safety practices or directs attention to unsafe practices which could result in personal injury or damage to the craft or components or to the environment.
- 
NOTE

 Important information for the correct installation and for maintenance, that does not cause any damage.
- 

 The symbol aside indicates all the operations which must be carried out by qualified or skilled staff, in order to avoid hazards. We recommend training the staff in charge of the product installation and checking their knowledge.



## INFORMATIVE LETTER

This installation and maintenance manual represents an important part of the product and must be available to the people in charge of its use and maintenance.

The user must know the content of this manual.

**ULTRAFLEX** declines all responsibility for possible mistakes in this manual due to printing errors.

Apart from the essential features of the described product, **ULTRAFLEX** reserves the right to make those modifications, such as descriptions, details and illustrations, that are considered to be suitable for its improvement, or for design or sales requirements, at any moment and without being obliged to update this publication.

ALL RIGHTS ARE RESERVED. Publishing rights, trademarks, part numbers and photographs of **ULTRAFLEX** products contained in this manual are **ULTRAFLEX** property.

Great care has been taken in collecting and checking the documentation contained in this manual to make it as complete and comprehensible as possible. Nothing contained in this manual can be interpreted as warranty either expressed or implied - including, not in a restricted way, the suitability warranty for any special purpose. Nothing contained in this manual can be interpreted as a modification or confirmation of the terms of any purchase contract.

### WARNING

To ensure the correct product and component operation, the product must be installed by qualified staff. In case of part damage or malfunction, please contact the qualified staff or our Technical Assistance Service.

### TECHNICAL SERVICE

#### **UFLEX Sr.I.**

Via Milite Ignoto,8A  
16012 Busalla (GE)-Italy  
Tel: +39.010.962.01  
Email: [service@ultraflexgroup.it](mailto:service@ultraflexgroup.it)  
[www.ultraflexgroup.it](http://www.ultraflexgroup.it)

#### North - South - Central America:

#### **UFLEX USA**

6442 Parkland Drive  
Sarasota, FL 34243  
Tel: +1.941.351.2628  
Email: [sales@uflexusa.com](mailto:sales@uflexusa.com)  
[www.uflexusa.com](http://www.uflexusa.com)

## WARRANTY

**ULTRAFLEX** guarantees that its products are well designed and free from manufacturing and material defects, for a period of two years from the date of manufacturing.

For the products which are installed and used on working or commercial boats the warranty is limited to one year from the date of manufacturing.

If during this period the product proves to be defective due to improper materials and/or manufacture, the manufacturer will repair or replace the defective parts free of charge.

Direct or indirect damage is not covered by this warranty. In particular the company is not responsible and this warranty will not cover the damage resulting from incorrect installation or use of the product (except for replacement or repair of defective parts according to the conditions and terms above).

This warranty does not cover the products installed on race boats or boats used in competitions.

The descriptions and illustrations contained in this manual should be used as general reference only.

For any further information please contact our Technical Assistance Service.

**ULTRAFLEX** steering system components are marked **CE** according to the Directive 2013/53/EU.

We remind you that only **CE** marked steering systems must be used on the boats marked **CE**.

We inform you that the **ULTRAFLEX** warranty is null if some **ULTRAFLEX** components are installed on a steering system together with products of other brands.



# 1 PRODUCT DESCRIPTION

## 1.1 General features

The bar A97 is completely made up of stainless steel and it is already preassembled. Its length can be adjusted: the distance between centers varies from 660 mm (26") to 762 mm (30") and from 762 mm (30") to 900 mm (35.5") according to the version (A97-30 and A97-35.5). It is compatible with:

- Suzuki 200/225/250/300/350 V6/V8
- Suzuki 150/175/200 L4
- Yamaha 200/225/250/300 V6
- Yamaha 150/175/200 L4
- Honda 200/225/250 V6
- Evinrude V4 and V6 E-TEC
- Mercury 175/200/225 V6 Fourstroke
- Mercury 250/275/300 V8 Fourstroke
- Mercury OPTIMAX V6

### NOTE

The distance between the centers is calculated between the centers of the holes located in the engine tiller arms when the engines are parallel.

### ⚠ WARNING

It can be used in applications with triple outboard engine and dual UC130-SVS (or UC128-OBF and UC128-SVS) front mount cylinder.

### ⚠ WARNING

Before the installation check the assembly compatibility of tie bar A97 with your application.

### ⚠ WARNING

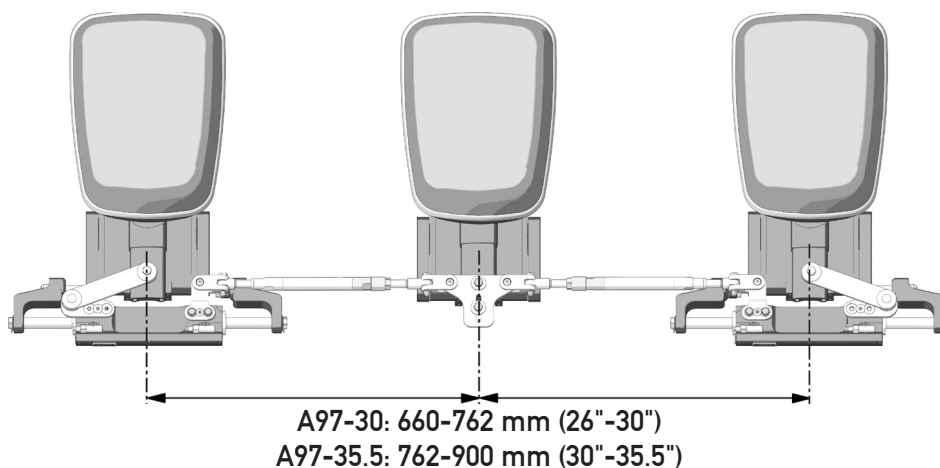
Usually the A97 bar allows to tilt the engines independently, the user must check it.

### ⚠ CAUTION

It is necessary to order a cylinder with idler arm mounted on the starboard and a cylinder with idler arm mounted on the port.

### ⚠ WARNING

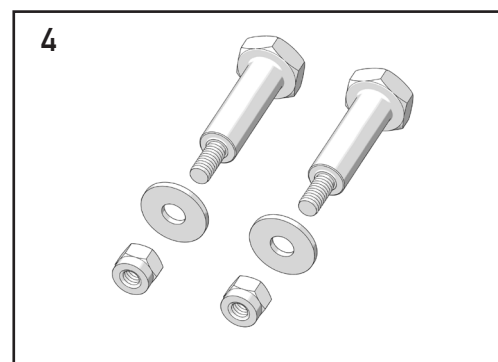
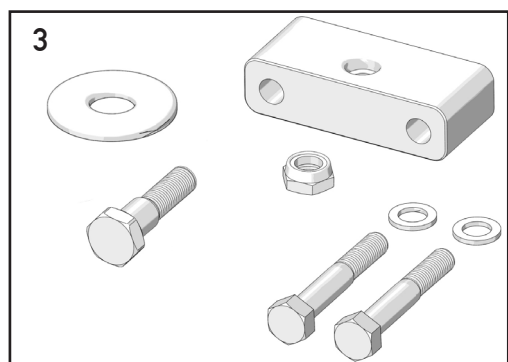
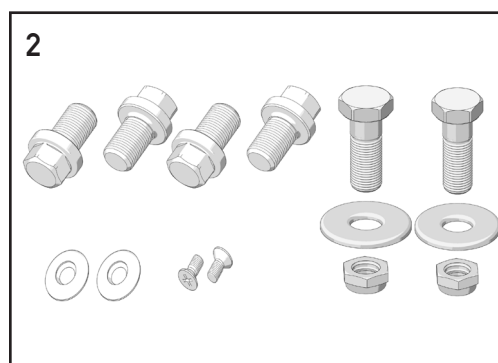
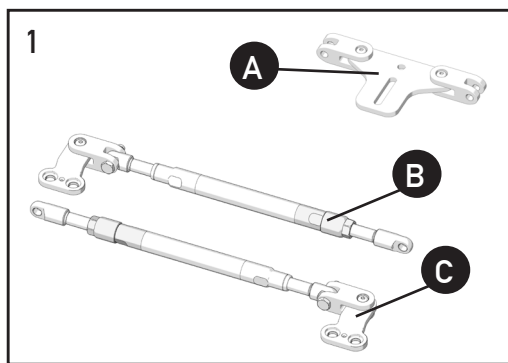
To allow the correct polymerization of the thread locker, wait 24 hours after the bar assembly before using it.



### 1.2 Packaging contents

1. Pre-assembled bars A, B and C
2. Bag D with screws
3. Bag E with bracket and screws
4. Bag F with screws

ENGLISH



#### NOTE

The bag number 3 (bag E) must be used only with the following engines:

- Mercury 175/200/225 V6 Fourstroke
- Mercury 250/275/300 V8 Fourstroke
- Mercury OPTIMAX V6





## 2 INSTALLATION

### 2.1 Necessary tools



10-14-16 mm hexagon wrenches



2x  
22 mm hexagon wrench



Dynamometric wrench



⊕  
Cross slot screwdriver



Loctite® 270



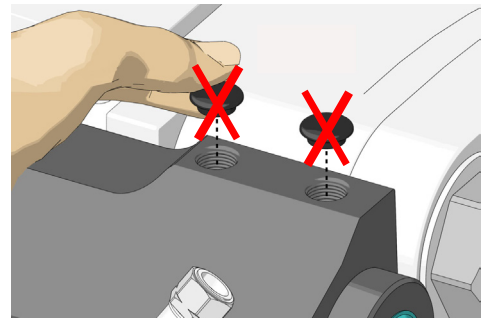
4mm hex key

### 2.2 A97 Installation

- 1 Install the cylinders on the external motors by carrying out the instructions indicated in the manual.

#### NOTE

The operations described in point 3 PRE-ASSEMBLY INSTALLATION can be carried out before installing the cylinders on the engines.



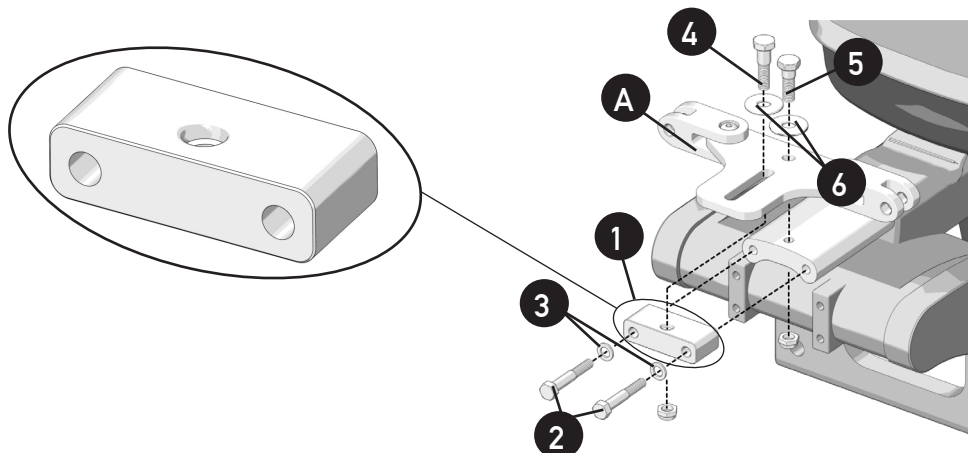
#### 2 BRACKET INSTALLATION A

With the Mercury Engines listed at page 8, it is necessary to assemble the bracket (1) on the central engine arm by positioning the screws 5/16 UNF (2) and by putting the washers (3) between the bracket and the screws. (All these elements are included in the bag E). Tighten to the torque indicated by the motor mechanic.

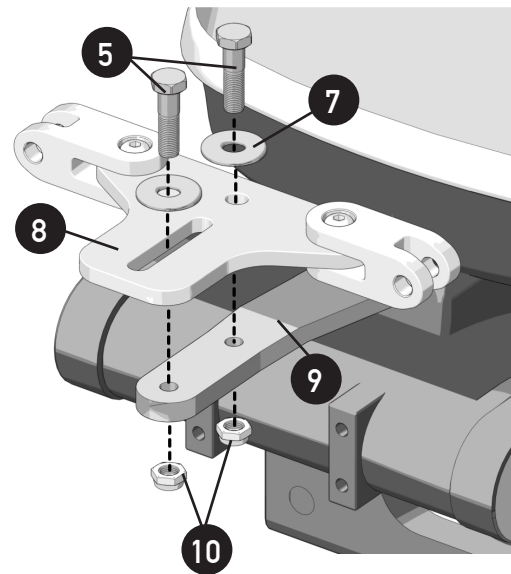
#### NOTE

Position the bracket with the spot-facing of the hole upwards and placed at the greatest distance from the hole on the engine arm, as indicated in the figure.

Assemble the central bracket of the bar (A), position the longest screw included in the bag E (4) in line with the hole of the just assembled bracket, and position one of the two screws included in the bag D (5) in line with the hole of the engine arm, by putting the washers (6) (respectively included in the bag D and E) between them.



For the other engines listed at page 8, position screw (5) and washer (7) (included in the bag D). Connect the central bracket of the bar (8) to engine arm (9), tighten the screw by means of a 14mm wrench with a tightening torque of 54 [Nm] (40 [lb · ft]). Screw self-locking nut (10) by means of a 9/16" wrench and tighten it with a tightening torque of 27 [Nm] (20 [lb x ft]). After tightening nut (10), check the correct torque of tightening 54 [Nm] (40 [lb x ft]) of screw (5).



**⚠ WARNING**

To tighten screw (5) and self-locking nut (10) on the engine arm, ask your motor mechanic what the maximum permitted torque is. If this value is lower than that indicated in this manual, tighten to the torque indicated by the motor mechanic.

**⚠ CAUTION**

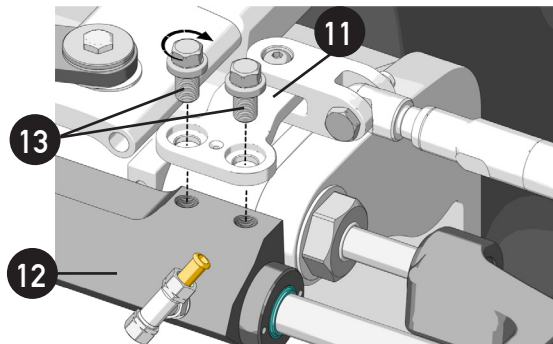
The correct tightening of screw (5) and self-locking nut (10) should be periodically checked at least every 3 months (or every month for professional use).

**⚠ WARNING**

In case of disassembly of self-locking nut (10), the latter must be replaced. (Contact our assistance service).

### 3 PRE-ASSEMBLED UNIT INSTALLATION B and C

3.1 Assemble brackets (11) on cylinder bodies (12) by means of supplied screws (13) included in the bag D. Tighten the screws with a 95 [Nm] (70 [lb·ft]) tightening torque by means of a 14mm wrench.



**⚠ DANGER**

Screw loosening causes deterioration and consequent ineffectiveness of the pre-applied thread locker. If the screws are loosened, they must be replaced.

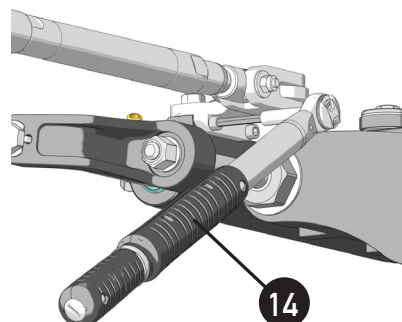
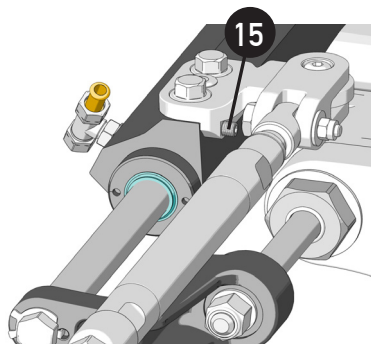
3.2 Tighten the dowels (15) pre-inserted in the brackets installed on the cylinders with a 24.6 Nm [18.14 lb-ft] tightening torque by means of a hex key (14).

**NOTE**

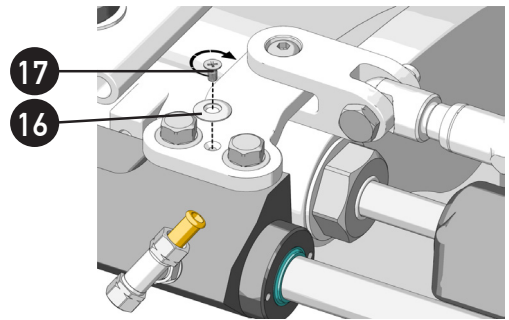
This operation must be carried out on each bracket immediately after tightening the two screws (13).

**⚠ DANGER**

Failure to tighten the dowels will result in personal injury or damage to property.



3.3 Position safety washer (16) on each bracket and fasten it with screw (17) applying some threadlocker like Loctite ®270 or similar with a 3[Nm] (2 [lb·ft]) tightening torque.



**⚠ DANGER**

The non-use of screw (17) and of safety washer (16) results in dangers to things and injury of people.

**4 BAR LENGTH ADJUSTMENT**

**4.1 Lock the three engines:**

- straight and parallel if no convergence or divergence is required (fig. 1)
- convergent outer engines (fig. 2)
- divergent outer engines (fig.3)

**NOTE**

With the same distance between centers of the engines, the "L" length of the bar will vary according to the chosen convergence or divergence angle.

FIG. 1

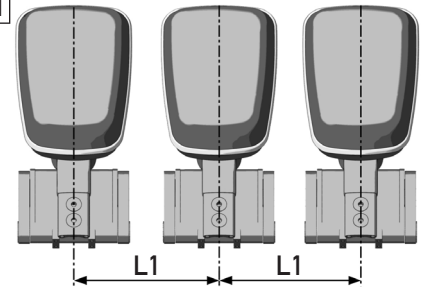


FIG. 2

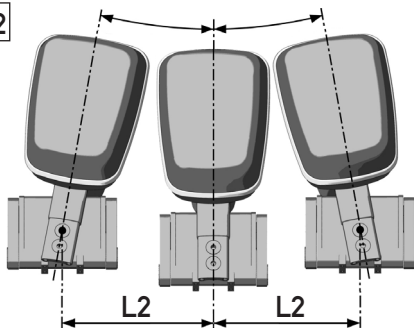
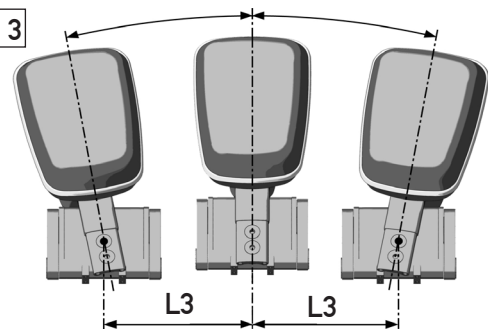


FIG. 3

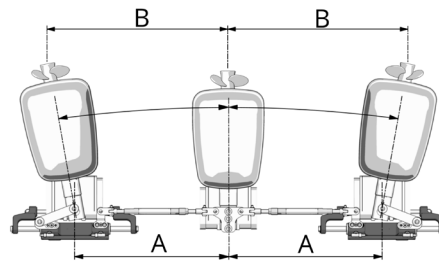
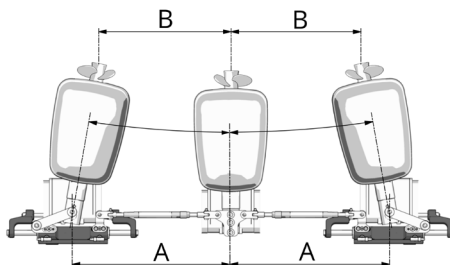


**⚠ WARNING**

When setting the convergence or divergence angle, follow the instructions given by the engine manufacturer, by imposing in any case and in any direction a total angle of no more than 5° and the difference between the measurements "A" (measurement of the distance between centers of the engines on the boat) and "B" (distance between the propeller shafts) of less than 1" (25.4mm) (see picture).

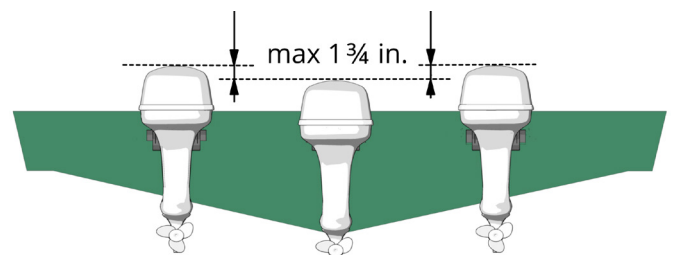
**⚠ WARNING**

Follow the engine adjustment procedure exactly.



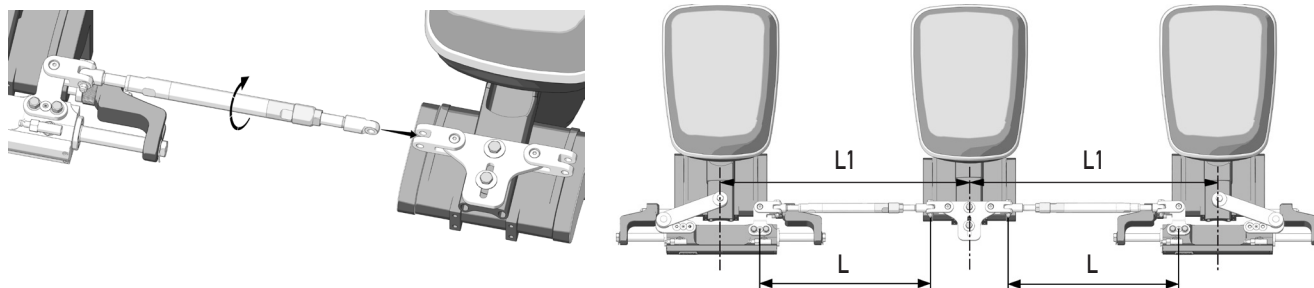
**⚠ WARNING**

In case of different mounting heights, the height difference between the central and side engines must be less than 44.5 mm (1 3/4 in.).



4.2 Adjust the length of each pre-assembled unit by holding the free end piece of the bar still and rotating (manually or with a 22 mm wrench) the central piece of the bar until the hole of the end piece is aligned with the hole of the connector on the bracket of the central engine according to the distance between centers L1 of the engines.

	DISTANCE BETWEEN CENTERS OF THE ENGINES	APPROXIMATE LENGTH OF THE BAR L
A97 - 30: 26" - 30.5" 660 - 762 mm	26"	481 mm (19")
	27"	507 mm (20")
	28"	532 mm (21")
	29"	558 mm (22")
A97 - 35.5: 30" - 35.5" 762 - 900 mm	30"	583 mm (23")
	31"	609 mm (24")
	32"	634 mm (25")
	33"	659 mm (26")
	34"	685 mm (27")
	35.5"	722 mm (28.5")



**⚠ WARNING**

DO NOT FORCE THE UNSCREWING OF THE BAR'S END WHEN REACHING THE MAXIMUM EXTENSION.

**⚠ DANGER**

FORCING THE UNSCREWING OF THE BAR'S END WILL IRRETRIEVABLY DAMAGE THE BAR.

**NOTE**

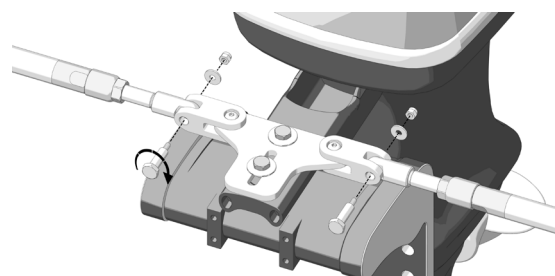
Be careful not to damage the exposed thread: dents on the thread cause seizure of the parts.

**NOTE**

The correlation of the distance between centers is L2 or L3 and the bar length depends on the chosen divergence or convergence angle.

**5 BAR CONNECTION TO THE CENTRAL ENGINE**

Connect each end piece to the corresponding connector of bracket A on the central engine by means of a screw, a washer and a self-locking M6 nut (supplied in bag F) using the 10 mm and 16 mm wrenches with a tightening torque of 8.5 Nm (6.27 lb ft).



6 Once operation 5 has been completed, in order to avoid accidental changes to the bars, they must be locked by tightening ring nut (18) using a 22 mm wrench with a tightening torque of 40 [Nm] (29.52 [lb · ft]) by means of a second wrench on the end element (19).



**⚠ DANGER**

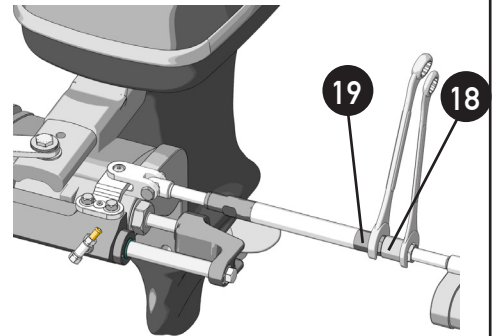
If the ring nut is not tightened while using the bar, this can cause damage to people or things.

**⚠ WARNING**

Check if the engine can also tilt independently and in different steering positions.

**⚠ CAUTION**

In no event shall the bar and/or its connections constitute a limitation to the steering allowed by the installed steering system and to the lifting of the engines.



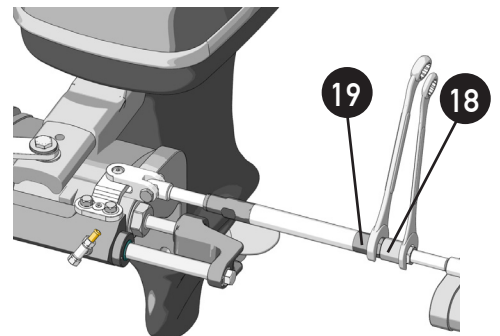
**7 ADJUSTMENT OF THE DISTANCE BETWEEN CENTERS WITH INSTALLED BAR**

If during the use of the boat it is necessary to vary the distance between centers of the engines (i.e. the angle of divergence or convergence), proceed as follows.

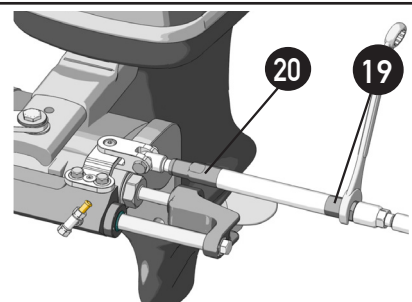
**⚠ WARNING**

Before carrying out the following operations, it is mandatory to turn off the engines and operate in safe conditions.

**7.1** By means of a 22 mm wrench loosen ring nut (18) of the bar to be adjusted (or both if necessary) holding it still with a second wrench on the end element (19).



**7.2** Using a 22 mm wrench act on one of the end elements (20) or (19) and carry out the adjustment of the bar length.



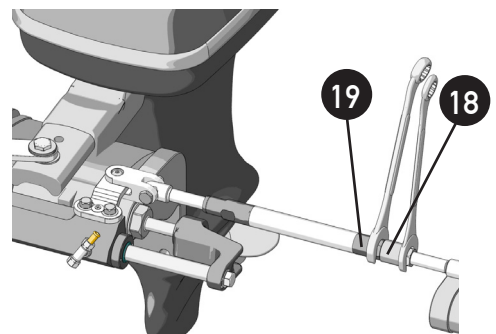
**7.3** Once the adjustment has been carried out, tighten again ring nut (18) using a 22 mm wrench with a tightening torque of 40 [Nm] (29.52 [lb · ft]) by means of a second wrench on the end element (19).

**⚠ WARNING**

Check if the engine can also tilt independently and in different steering positions.

**⚠ CAUTION**

In no event shall the bar and/or its connections constitute a limitation to the steering allowed by the installed steering system and to the lifting of the engines.



### 3 MAINTENANCE

#### 3.1 Ordinary maintenance

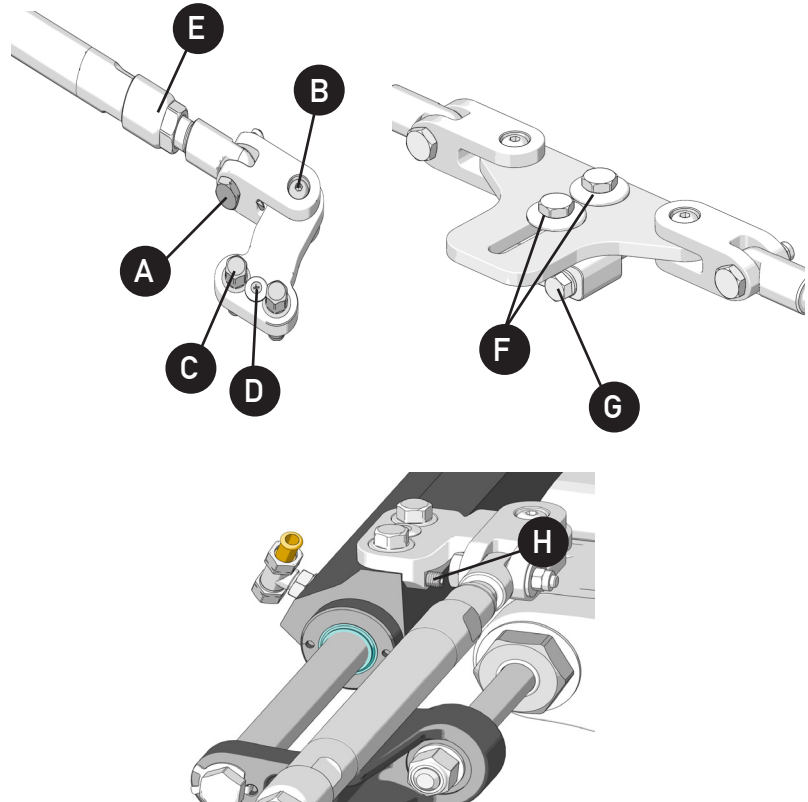
**⚠ WARNING**



Poor installation and maintenance may result in loss of steering and cause property damage and/or personal injury.

- 1 After the first 10 working hours and afterwards periodically check that the bar is intact and that the connections are tightened:

- A: 8,5 [Nm] (6,27 [lb·ft])
- B: 23 [Nm] ( 16,96 [lb·ft])
- C: 95 [Nm] (70 [lb·ft])
- D: 3 [Nm] (2 [lb·ft]).
- E: 40 [Nm] (29,52 [lb·ft])
- F: See step 6 paragraph 2.2
- G: See step 6 paragraph 2.2
- H: 24,6 [Nm] (18,14 [lb·ft])



- 2 Periodically wash the components with fresh water in order to remove any salt deposits.

**⚠ DANGER**

In case of disassembly of the self-locking nuts and of the C and H elements (see the pictures above), they must be replaced. (please contact our technical service department).

#### 3.2 Extraordinary maintenance

Technical service

For any information or for assistance with unusual applications please contact our technical support personnel (See paragraph "Introduction").

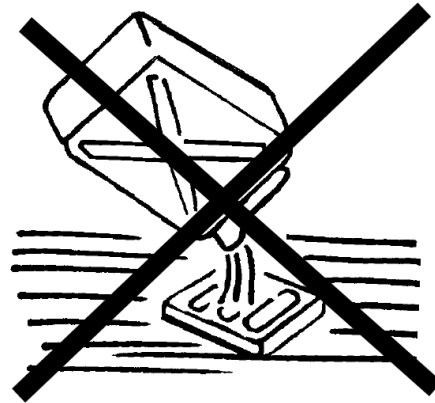


## 4 DISMANTLING

### 4.1 Dismantling

When for any reason, the system is put out of service, it is necessary to follow some rules in order to respect the environment.

Sheaths, pipelines, plastic or non-metallic components must be disassembled and disposed of separately.



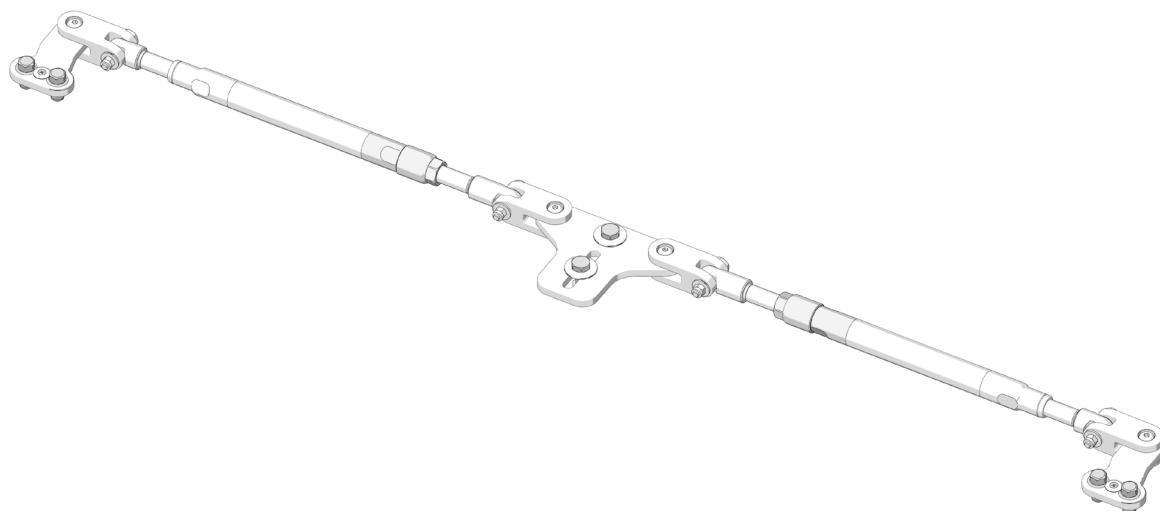




# Manuale di installazione e manutenzione

## BARRA D'ACCOPPIAMENTO

A97



CE



# ULTRAFLEX





Gentile Cliente,

La ringraziamo per aver scelto un prodotto **ULTRAFLEX**.

**ULTRAFLEX** è da anni un punto di riferimento nei sistemi di guida nel settore della nautica da diporto e professionale.

Da sempre la produzione **ULTRAFLEX** è sinonimo di grande affidabilità e sicurezza.

Tutti i prodotti **ULTRAFLEX** sono progettati e prodotti per garantire sempre le prestazioni migliori, relativamente allo scopo per cui sono concepiti.

Per tutelare la Vostra sicurezza e per mantenere sempre un alto livello qualitativo **ULTRAFLEX** garantisce i propri prodotti solo se utilizzati con i ricambi originali.

I Sistemi di Gestione Qualità **ULTRAFLEX** ed **UFLEX** sono certificati dal DNV-GL Det Norske Veritas -Germanischer Lloyd, in conformità alla Norma UNI EN ISO 9001:2015.

Il sistema Qualità coinvolge tutte le risorse ed i processi aziendali a partire dalla progettazione, per:

- garantire al cliente la qualità del prodotto;
- impostare le azioni per mantenere e migliorare nel tempo gli standard di qualità;
- perseguire un continuo miglioramento dell'efficacia e dell'efficienza dei processi per poter essere sempre in sintonia con le esigenze del mercato ed accrescere la soddisfazione dei Clienti.

Il sistema di Gestione Ambientale **ULTRAFLEX** è certificato dal DNV-GL Det Norske Veritas - Germanischer Lloyd in conformità alla Norma UNI EN ISO 14001:2015.

I prodotti destinati alla nautica da diporto vengono costantemente controllati per verificare la rispondenza ai requisiti imposti dalla direttiva 2013/53/UE.



"**ULTRAFLEX**, con più di 80 anni di esperienza nel settore nautico è oggi leader globale nella produzione di sistemi di guida meccanici, idraulici ed elettronici, scatole di comando e volanti per imbarcazioni a motore da diporto, da pesca o da lavoro di ogni dimensione e tipo di motorizzazione.

L'affidabilità dei nostri prodotti ed il servizio ante e post vendita, la qualità dell'organizzazione aziendale e delle risorse umane insieme agli investimenti continui in ricerca e sviluppo sono fattori determinanti per spiegare il successo crescente dei nostri prodotti ovunque nel mondo".

**ULTRAFLEX Sp.A.**

16015 Casella (Genova) Italia - Via Crose, 2

# INDICE GENERALE



INDICE DELLE REVISIONI DEL DOCUMENTO.....	20
USO DEL MANUALE E SIMBOLOGIA IMPIEGATA .....	21
LETTERA INFORMATIVA.....	22
GARANZIA .....	22

## SEZIONE 1 - DESCRIZIONE DEL PRODOTTO



1.1 CARATTERISTICHE GENERALI.....	23
1.2 CONTENUTO IMBALLO.....	24

## SEZIONE 2 - INSTALLAZIONE



2.1 UTENSILI NECESSARI.....	25
2.2 INSTALLAZIONE A97 .....	25

## SEZIONE 3 - MANUTENZIONE



3.1 MANUTENZIONE ORDINARIA.....	30
3.2 MANUTENZIONE STRAORDINARIA.....	30

## SEZIONE 4 - SMANTELLAMENTO



4.1 SMANTELLAMENTO .....	31
--------------------------	----


**INDICE DELLE REVISIONI DEL DOCUMENTO**


Rev.	Data	Descrizione della revisione
0	18/12/2020	Prima realizzazione


## USO DEL MANUALE E SIMBOLOGIA IMPIEGATA

IL MANUALE DI INSTALLAZIONE E MANUTENZIONE è il documento che accompagna il prodotto dal momento della sua vendita fino alla sua sostituzione e smaltimento. Risulta cioè essere parte integrante dello stesso. E' richiesta la lettura del manuale prima che venga intrapresa QUALSIASI ATTIVITÀ che coinvolga il prodotto compresa la movimentazione e lo scarico dello stesso dal mezzo di trasporto.


Al fine di tutelare la sicurezza dell'utilizzatore e per garantire il corretto funzionamento del prodotto nel presente manuale è stata adottata la simbologia di seguito descritta.

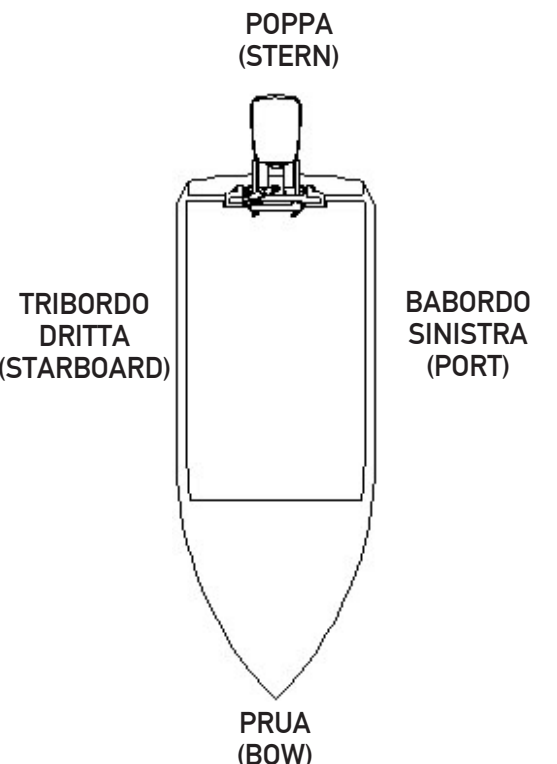
 **PERICOLO** ➔ Danni immediati che CAUSANO ferite gravi alla persona o che portano alla morte.

 **AVVERTENZA** ➔ Indica che esiste un pericolo che può causare lesione o morte se non sono adottate le precauzioni appropriate.

 **ATTENZIONE** ➔ Indica un richiamo all'applicazione di pratiche di sicurezza oppure richiama l'attenzione su pratiche non sicure che potrebbero causare lesione personale o danno all'imbarcazione o ai componenti o all'ambiente.

**NOTA** ➔ Informazione ritenuta importante per una installazione adeguata e per la manutenzione, che non è causa di danni.

 ➔ Le operazioni per la cui esecuzione si richiede, onde evitare possibili rischi, personale qualificato o specializzato sono evidenziate con il simbolo indicato a lato. Si raccomanda di formare il personale destinato all'installazione del prodotto e di verificare che quanto previsto sia compreso ed attuato.



POPPA  
(STERN)

PRUA  
(BOW)

TRIBORDO  
DRIITA  
(STARBOARD)

BABORDO  
SINISTRA  
(PORT)

➔ La figura a lato ha la funzione di facilitare l'interpretazione di alcuni termini nautici contenuti nel presente manuale.

**LEGENDA**

m.p.h. = miglia/ora  
km/h = chilometri/ora

10 m.p.h. = 8,69 nodi  
10 m.p.h. = 16,1 km/h  
10 nodi = 11,5 m.p.h.  
10 nodi = 18,5 km/h  
10 km/h = 6,21 m.p.h.  
10 km/h = 5,4 nodi

ITALIANO



## LETTERA INFORMATIVA

Il presente manuale di installazione e manutenzione costituisce parte integrante del prodotto e deve essere facilmente reperibile dal personale addetto all'uso e alla manutenzione dello stesso.

L'utilizzatore è tenuto a conoscere il contenuto del presente manuale.

**ULTRAFLEX** declina ogni responsabilità per eventuali inesattezze dovute ad errori di stampa, contenute nel manuale. Ferme restando le caratteristiche essenziali del prodotto descritto, **ULTRAFLEX** si riserva il diritto di apportare eventuali modifiche di descrizioni, dettagli e illustrazioni, che riterrà opportuno per il miglioramento dello stesso, o per esigenze di carattere costruttivo o commerciale, in qualunque momento e senza impegnarsi ad aggiornare tempestivamente questa pubblicazione.

TUTTI I DIRITTI SONO RISERVATI. I diritti di pubblicazione, i marchi, le sigle e le fotografie dei prodotti **ULTRAFLEX** presenti in questo manuale sono di proprietà **ULTRAFLEX** che ne vieta qualsiasi riproduzione anche parziale. Ogni cura è stata posta nella raccolta e nella verifica della documentazione per rendere questo manuale il più completo e comprensibile possibile. Nulla di quanto contenuto nella presente pubblicazione può essere interpretato come garanzia o condizione espressa o implicita - inclusa, non in via limitativa, la garanzia di idoneità per un particolare scopo. Nulla di quanto contenuto nella presente pubblicazione può inoltre essere interpretato come modifica o asserzione dei termini di qualsivoglia contratto di acquisto.

### **AVVERTENZA**

Al fine di assicurare il corretto funzionamento del prodotto e dei suoi componenti, lo stesso deve essere installato da personale esperto. In caso di rotture di parti componenti o malfunzionamento, rivolgersi al personale specializzato o contattare il nostro Servizio Assistenza Tecnica.

### SERVIZIO ASSISTENZA TECNICA

#### **UFLEX Sr.l.**

Via Milite Ignoto,8A

16012 Busalla (GE)-Italia

Tel: +39.010.962.01

Email: [service@ultraflexgroup.it](mailto:service@ultraflexgroup.it)

[www.ultraflexgroup.it](http://www.ultraflexgroup.it)

Nord - Sud - Centro America:

#### **UFLEX USA**

6442 Parkland Drive

Sarasota, FL 34243

Tel: +1.941.351.2628

Email: [sales@uflexusa.com](mailto:sales@uflexusa.com)

[www.uflexusa.com](http://www.uflexusa.com)

## GARANZIA

**ULTRAFLEX** garantisce che i suoi prodotti sono costruiti a regola d'arte e che sono privi di difetti di fabbricazione e di materiali.

Questa garanzia è valida per un periodo di due anni decorrenti dalla data di fabbricazione dei prodotti ad eccezione dei casi in cui questi siano installati ed usati su barche da lavoro o comunque su barche ad utilizzo commerciale, nel qual caso la garanzia è limitata ad 1 anno dalla data di fabbricazione.

Questa garanzia è limitata alla sostituzione o riparazione gratuita del pezzo che, entro il termine suddetto, ci sarà restituito in porto franco e che rileveremo essere effettivamente difettoso nei materiali o/e nella fabbricazione.

È escluso dalla garanzia ogni e qualsiasi altro danno diretto o indiretto. In particolare, è escluso dalla garanzia e da ogni nostra responsabilità (tranne quella di sostituire o riparare, nei termini e condizioni suddette, i pezzi difettosi) il malfunzionamento dei nostri prodotti qualora il loro mancato o difettoso funzionamento sia attribuibile ad una errata installazione o ad uso negligente o improprio.

Questa garanzia non copre i prodotti installati su barche da corsa o utilizzate in contesti competitivi. Le descrizioni e le illustrazioni di questo manuale s'intendono fornite a titolo indicativo.

Per informazioni dettagliate si prega di contattare il nostro Servizio Assistenza.

I componenti dei sistemi di guida **ULTRAFLEX** sono marcati **CE** come richiesto dalla direttiva 2013/53/UE.

Vi ricordiamo che sulle imbarcazioni marcate **CE** è obbligatorio installare sistemi di guida i cui componenti siano marcati **CE**. Vi informiamo che la garanzia **ULTRAFLEX** decade automaticamente qualora alcuni componenti **ULTRAFLEX** siano installati in un sistema di guida insieme a prodotti di altre marche.



## 1 DESCRIZIONE DEL PRODOTTO

### 1.1 Caratteristiche generali

La barra A97 è costruita interamente in acciaio inossidabile ed è fornita già preassemblata. La lunghezza è regolabile: gli interassi variano da 660 mm (26") a 762 mm (30") e da 762 mm (30") a 900 mm (35.5") a seconda della versione (A97-30 e A97-35.5).

È compatibile con:

- Suzuki 200/225/250/300/350 V6/V8
- Suzuki 150/175/200 L4
- Yamaha 200/225/250/300 V6
- Yamaha 150/175/200 L4
- Honda 200/225/250 V6
- Evinrude V4 and V6 E-TEC
- Mercury 175/200/225 V6 Fourstroke
- Mercury 250/275/300 V8 Fourstroke
- Mercury OPTIMAX V6

#### NOTA

Per interasse si intende la distanza tra i centri dei fori presenti sui bracci dei motori quando questi ultimi sono paralleli.

#### ⚠ AVVERTENZA

È utilizzabile nelle applicazioni con triplo motore fuoribordo e doppio UC130-SVS (o UC128-0BF e UC128-SVS) a montaggio frontale.

#### ⚠ AVVERTENZA

Prima di iniziare l'installazione verificare la compatibilità di montaggio della barra A97 con la vostra applicazione.

#### ⚠ AVVERTENZA

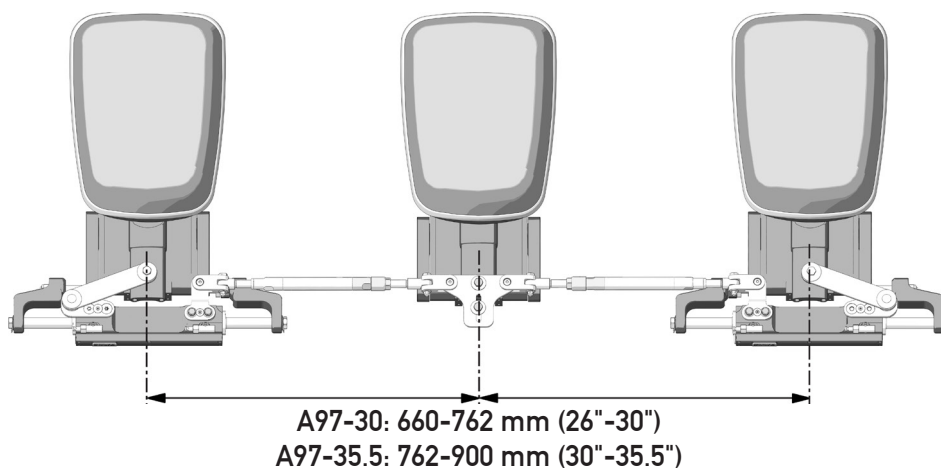
Normalmente la barra A97 permette il tiltaggio indipendente dei motori, è compito dell'utente la verifica.

#### ⚠ ATTENZIONE

È necessario ordinare un cilindro con braccio di rinvio montato a destra (starboard) e un cilindro con braccio di rinvio montato a sinistra (port).

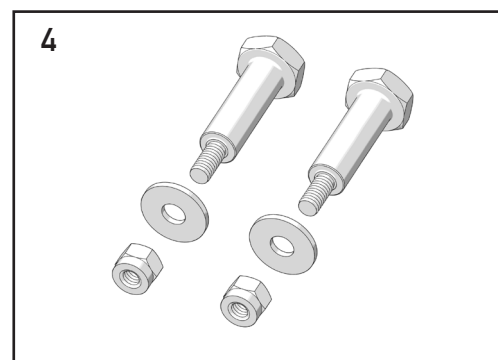
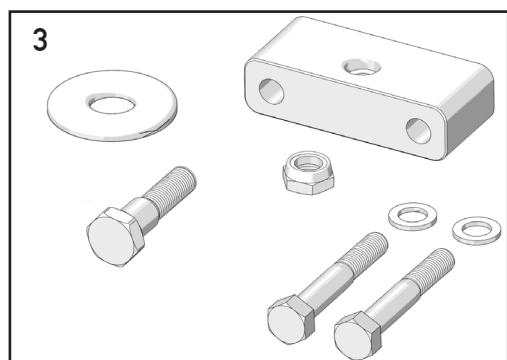
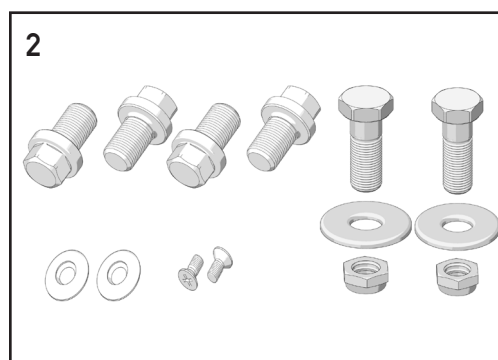
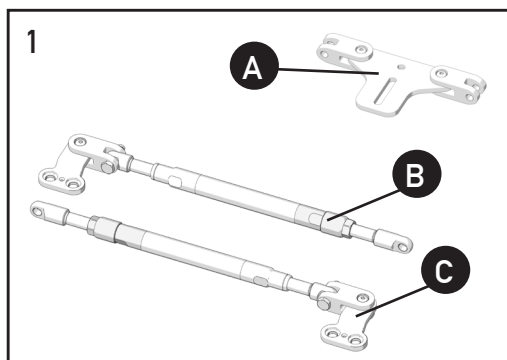
#### ⚠ AVVERTENZA

Per permettere la corretta polimerizzazione dei frenafili, aspettare 24 ore dopo l'assemblaggio della barra prima dell'utilizzo.



### 1.2 Contenuto dell'imballo

1. Preassemblati barra A, B e C
2. Sacchetto D con viterie
3. Sacchetto E con staffa e viterie
4. Sacchetto F con viterie



#### NOTA

Il sacchetto numero 3 (sacchetto E) è da utilizzarsi unicamente con i seguenti motori:

- Mercury 175/200/225 V6 Fourstroke
- Mercury 250/275/300 V8 Fourstroke
- Mercury OPTIMAX V6





## 2 INSTALLAZIONE

### 2.1 Utensili necessari



Chiavi esagonali 10-14-16 mm



Chiave esagonale 22 mm



Chiave dinamometrica



Cacciavite a croce



Loctite® 270



Chiave a brugola con esagono da 4mm

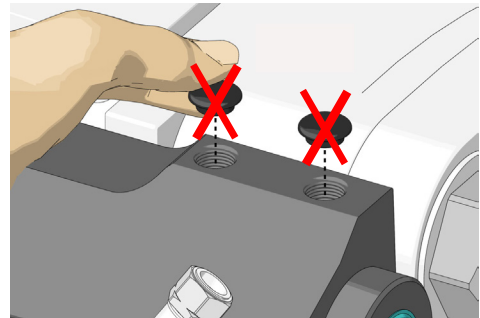
### 2.2 Installazione A97



- 1 Installare i cilindri sui motori esterni seguendo le istruzioni fornite all'interno del relativo manuale.

#### NOTA

Le operazioni descritte al punto 3 INSTALLAZIONE PREASSEMBLATI possono essere eseguite prima di installare i cilindri sui motori.



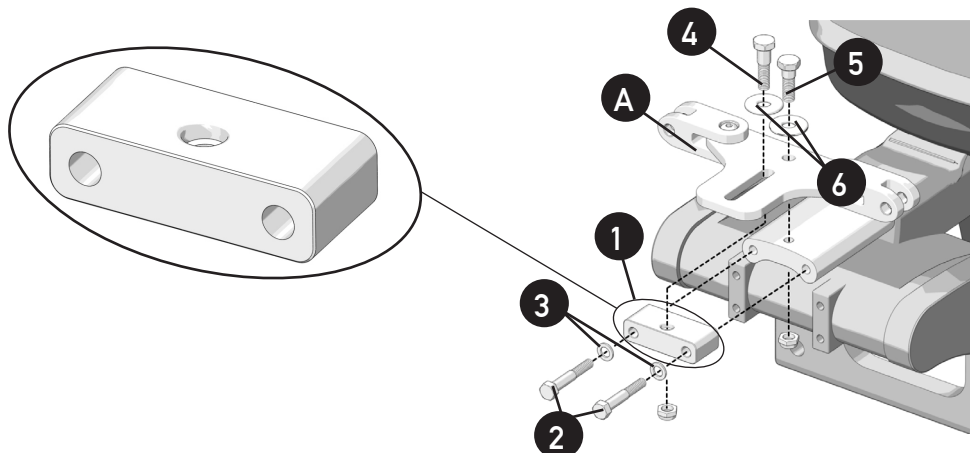
#### 2 INSTALLAZIONE STAFFA A

Nel caso dei motori Mercury elencati a pag 24, occorre montare la staffa (1) sul braccio del motore centrale, posizionando le viti (2) 5/16 UNF ed interponendo le rondelle (3) (elementi tutti forniti nel sacchetto E). Serrare alla coppia indicata dal motorista.

#### NOTA

Posizionare la staffa come indicato in figura, con la lamatura del foro verso l'alto e posizionata alla maggiore distanza dal foro sul braccio motore.

Montare la staffa centrale della barra (A), posizionare la vite più lunga fornita nel sacchetto E (4) in corrispondenza del foro sulla staffa appena montata e una delle due viti contenute nel sacchetto D (5) in corrispondenza del foro sul braccio motore, interponendo le rondelle fornite (6) rispettivamente nei sacchetti E e D.



Per gli altri motori elencati, posizionare la vite (5) e la rondella (7) (contenute nel sacchetto D). Collegare la staffa centrale della barra (8) al braccetto motore (9), serrare la vite utilizzando una chiave da 14mm con una coppia di serraggio di 54[Nm] (40 [lb · ft]). Avvitare il dado autobloccante (10) con una chiave da 9/16" e serrarlo con una coppia di serraggio di 27[Nm] (20 [lb x ft]). Dopo aver serrato il dado (10), rivedificare la corretta coppia di serraggio 54[Nm] (40 [lb x ft]) della vite (5).

### ⚠ AVVERTENZA

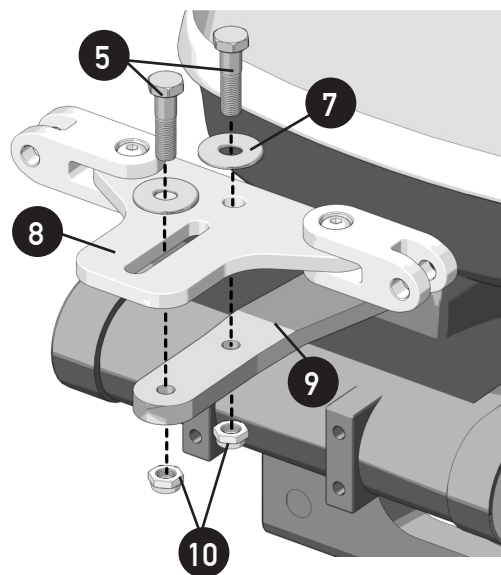
Per il serraggio della vite (5) e del dado autobloccante (10) sul braccetto motore chiedere al proprio motorista quale sia la coppia massima ammessa. Se questa fosse inferiore a quella indicata nel presente manuale, serrare alla coppia indicata dal motorista.

### ⚠ ATTENZIONE

È importante verificare periodicamente, almeno ogni 3 mesi (o ogni mese per utilizzi professionali), il corretto serraggio di questa vite (5) e del dado autobloccante (10).

### ⚠ AVVERTENZA

Nel caso di smontaggio del dado autobloccante (10), quest'ultimo dovrà essere sostituito. (Contattare il nostro servizio assistenza).

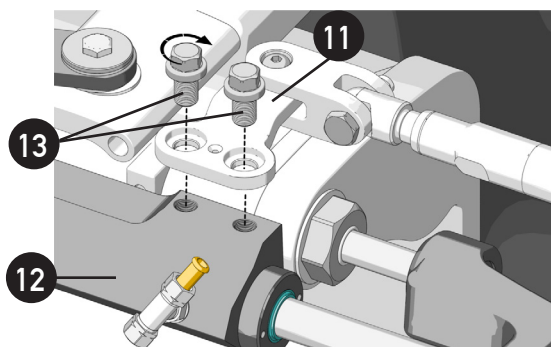


## 3 INSTALLAZIONE PREASSEMBLATI B e C

3.1 Montare le staffe (11) sui corpi cilindro (12) utilizzando le viti in dotazione (13) fornite nel sacchetto D. Serrare le viti con una coppia di serraggio di 95[Nm] (70 [lb·ft]) mediante una chiave esagonale da 14 mm.

### ⚠ PERICOLO

Il disserraggio delle viti provoca deterioramento e conseguente inefficacia del frenafili pre-applicato. In caso di disserraggio delle viti, queste ultime devono essere sostituite.



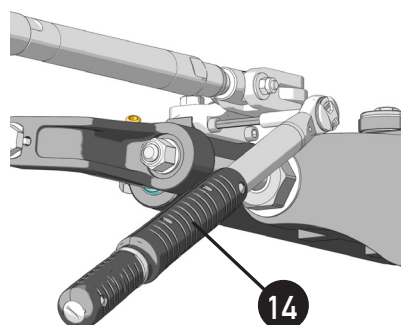
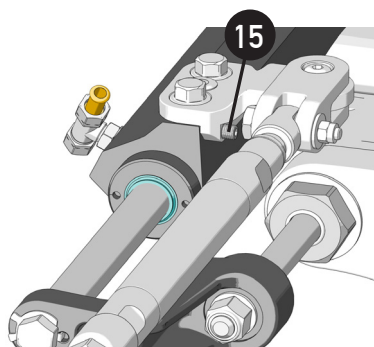
3.2 Serrare con la chiave a brugola (14) i grani (15) preinseriti nelle staffe installate sui cilindri con coppia di serraggio 24,6 Nm [18,14 lb·ft].

### NOTA

Questa operazione deve essere effettuata, su ciascuna staffa, subito dopo il serraggio delle due viti (13).

### ⚠ PERICOLO

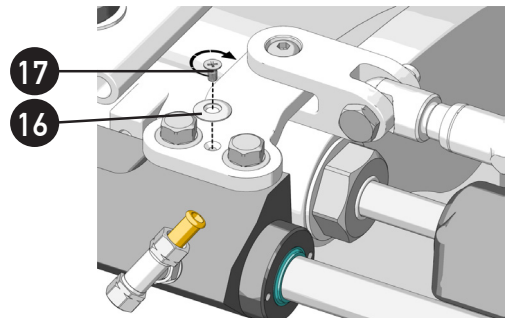
Il mancato serraggio dei grani provoca danni a persone o cose.



3.3 Posizionare la rondella di sicurezza (16) su ciascuna staffa e bloccarla con la vite (17) applicando frenafiletto tipo Loctite®270 o equivalente con coppia di serraggio 3[Nm] (2 [lb·ft]).

**⚠ PERICOLO**

Il mancato utilizzo della vite (17) e della rondella di sicurezza (16) provoca danni a persone o cose.



### 4 REGOLAZIONE DELLA LUNGHEZZA DELLA BARRA

4.1 Bloccare i tre motori:

- dritti e paralleli fig. 1 se non è richiesta convergenza o divergenza
- motori esterni convergenti fig. 2
- motori esterni divergenti fig.3

**NOTA**

A parità di interasse tra i motori, la lunghezza "L" della barra varierà in funzione dell'angolo di convergenza o divergenza scelto.

FIG. 1

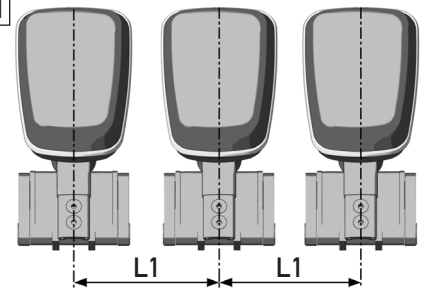


FIG. 2

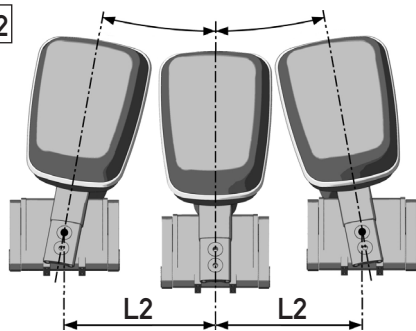
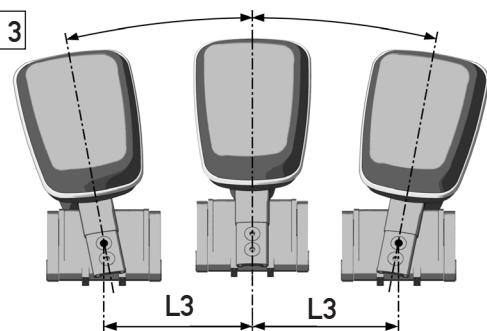


FIG. 3

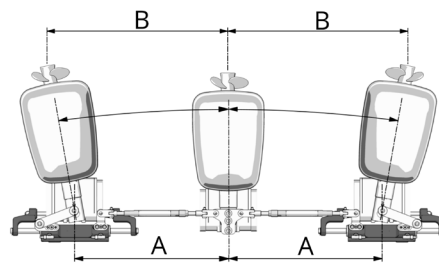
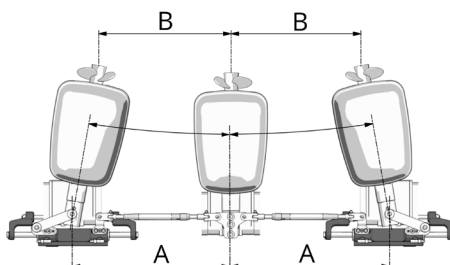


**⚠ AVVERTENZA**

Nell'impostare l'angolo di convergenza o divergenza seguire quanto indicato dal motorista, imponendo in ogni caso e in qualunque direzione un angolo totale non superiore a 5° e la differenza tra le misure "A" (misura dell'interasse tra i motori sulla barca) e "B" (distanza tra gli assi delle eliche) inferiore a 1" (25.4mm) (vedere figura).

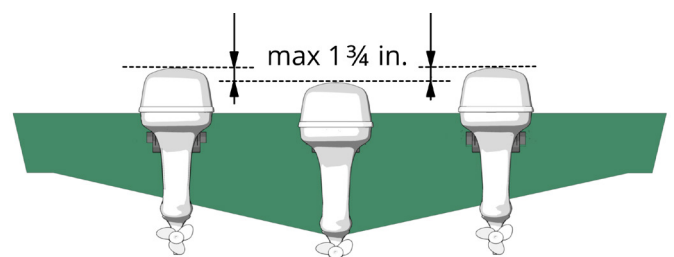
**⚠ AVVERTENZA**

Seguire pedissequamente la procedura di regolazione dei motori.



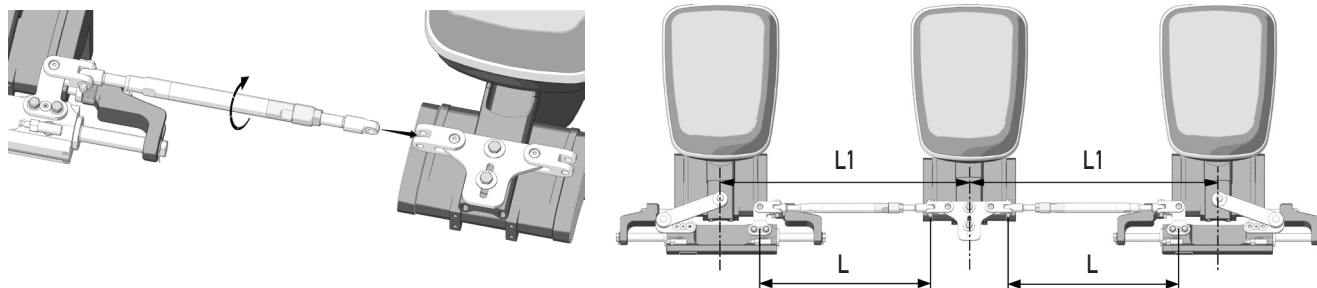
**⚠ AVVERTENZA**

In caso di differente altezza di montaggio, la differenza di altezza tra il motore centrale e quelli laterali deve essere inferiore a 44.5 mm (1 3/4 in.)



4.2 Regolare la lunghezza di ciascun preassemblato tenendo fermo il puntale libero della barra e agendo mediante rotazione (manuale o mediante chiave da 22 mm) dell'elemento centrale della barra, fino ad allineare il foro del puntale al foro del connettore presente sulla staffa del motore centrale in base all'interasse L1 dei motori.

	INTERASSE MOTORI	LUNGHEZZA INDICATIVA DELLA BARRA L
A97 - 30: 26" - 30.5" 660 - 762 mm	26"	481 mm (19")
	27"	507 mm (20")
	28"	532 mm (21")
	29"	558 mm (22")
A97 -35.5: 30" - 35.5" 762 - 900 mm	30"	583 mm (23")
	31"	609 mm (24")
	32"	634 mm (25")
	33"	659 mm (26")
	34"	685 mm (27")
	35.5"	722 mm (28.5")



### ⚠ AVVERTENZA

NON FORZARE LO SVITAMENTO DEI PUNTALI AL RAGGIUNGIMENTO DELLA MASSIMA ESTENSIONE .

### ⚠ PERICOLO

FORZARE LO SVITAMENTO DEI PUNTALI DANNEGGERA' IRREPARABILMENTE LA BARRA.

### NOTA

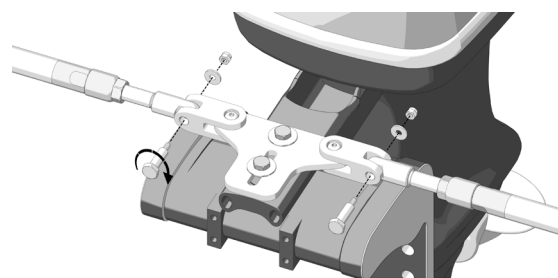
Fare attenzione a non danneggiare la filettatura esposta: ammaccature sulla filettatura provocano grippaggio delle parti.

### NOTA

La correlazione tra gli interassi L2 o L3 e la lunghezza della barra dipende dall'angolo di divergenza o convergenza scelto.

## 5 CONNESSIONE BARRE AL MOTORE CENTRALE

Collegare ogni puntale al corrispondente connettore della staffa A sul motore centrale mediante una vite, una rondella e un dado M6 autobloccante (forniti nel sacchetto F) usando le chiavi da 10 mm e 16 mm con coppia di serraggio 8.5 Nm (6.27 lb ft).



6 Una volta completata la operazione 5, allo scopo di evitare variazioni accidentali delle barre, occorre bloccarle serrando la ghiera (18) utilizzando una chiave da 22 mm con una coppia di serraggio di 40[Nm] (29,52 [lb-ft]) aiutandosi con una seconda chiave sull'elemento di estremità (19).



### ⚠ PERICOLO

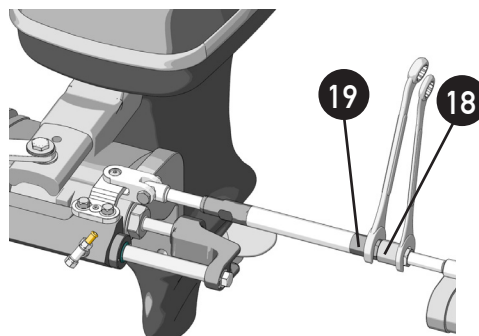
Il mancato serraggio della ghiera durante l'utilizzo della barra provoca danni a persone o cose.

### ⚠ AVVERTENZA

Verificare la possibilità di tiltaggio del motore, anche in modo indipendente e in diverse posizioni di sterzata.

### ⚠ ATTENZIONE

In nessun caso la barra e/o le connessioni della stessa dovranno costituire una limitazione alla sterzata consentita dal sistema di guida installato ed al sollevamento dei motori stessi.



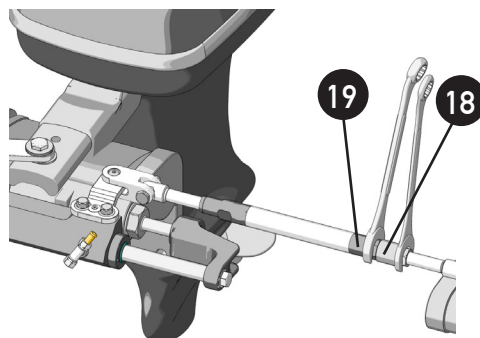
## 7 REGOLAZIONE INTERASSE CON BARRA INSTALLATA

Se durante l'utilizzo dell'imbarcazione dovesse nascere la necessità di variare l'interasse dei motori (ovvero l'angolo di divergenza o convergenza), procedere come segue.

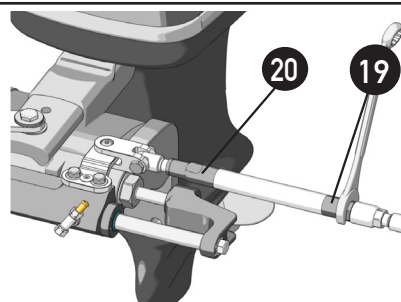
### ⚠ AVVERTENZA

Prima di procedere con le seguenti operazioni, è obbligatorio spegnere i motori e operare in condizioni di sicurezza.

**7.1** Allentare la ghiera (18) della barra da regolare (o di entrambe se necessario) con una chiave da 22 mm tenendola ferma con una seconda chiave sull'elemento di estremità (19).



**7.2** Agendo con una chiave da 22 mm su uno degli elementi di estremità (20) o (19) procedere con la regolazione della lunghezza della barra.



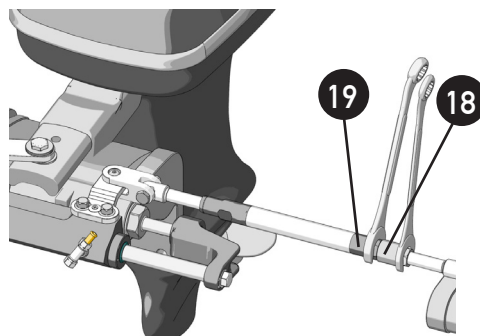
**7.3** Una volta effettuata la regolazione, stringere nuovamente la ghiera (18) utilizzando una chiave da 22 mm con una coppia di serraggio di 40[Nm] (29,52 [lb-ft]) aiutandosi con una seconda chiave sull'elemento di estremità (19).

### ⚠ AVVERTENZA

Verificare la possibilità di tiltaggio del motore, anche in modo indipendente e in diverse posizioni di sterzata.

### ⚠ ATTENZIONE

In nessun caso la barra e/o le connessioni della stessa dovranno costituire una limitazione alla sterzata consentita dal sistema di guida installato ed al sollevamento dei motori stessi.



## 3 MANUTENZIONE

### 3.1 Manutenzione ordinaria

#### ⚠ AVVERTENZA



La mancata osservanza dei controlli di manutenzione può causare la perdita di guida con possibili danni materiali e/o lesioni personali.

- 1 Verificare dopo le prime 10 ore di uso ed in seguito periodicamente l'integrità della barra ed il serraggio delle connessioni:

A: 8,5 [Nm] (6,27 [lb·ft])

B: 23 [Nm] ( 16,96 [lb·ft])

C: 95 [Nm] (70 [lb·ft])

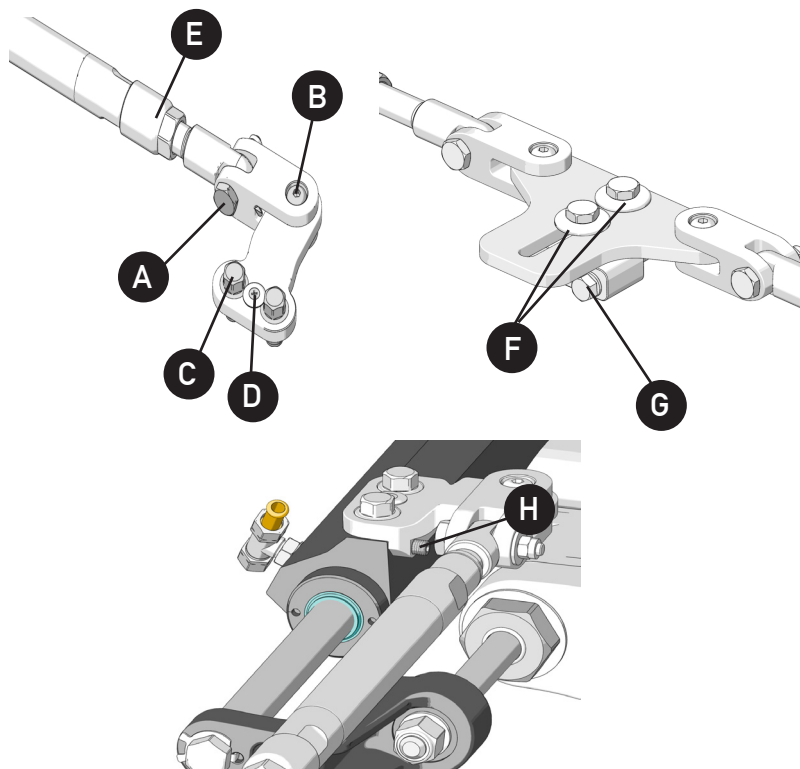
D: 3 [Nm] (2 [lb·ft]).

E: 40 [Nm] (29,52 [lb·ft])

F: Vedere punto 6 capitolo 2.2

G: Vedere punto 6 capitolo 2.2

H: 24,6 [Nm] (18,14 [lb·ft])



- 2 Periodicamente lavare con acqua dolce i componenti per rimuovere eventuali depositi di sale.

#### ⚠ PERICOLO

Nel caso di smontaggio dei dadi autobloccanti e degli elementi C e H (vedi le figure sopra), questi ultimi dovranno essere sostituiti. (Contattare il nostro servizio assistenza).

### 3.2 Manutenzione straordinaria



#### Assistenza tecnica

Per qualsiasi informazione o per assistenza relativa ad applicazioni particolari, Vi invitiamo a contattare il nostro servizio di assistenza tecnica (Vedi paragrafo "Lettera informativa").

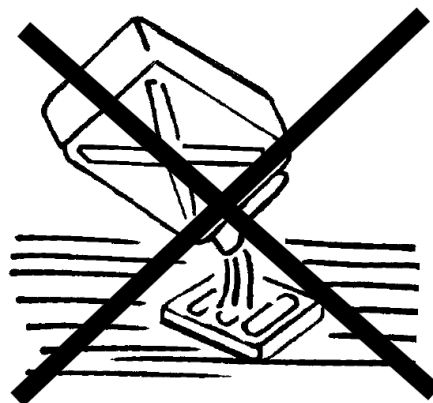


## 4 SMANTELLAMENTO

### 4.1 Smantellamento

Qualora si intenda, per qualsiasi motivo, mettere fuori servizio la barra di accoppiamento, è necessario osservare alcune regole fondamentali atte a salvaguardare l'ambiente.

Guaine, condotti flessibili, componenti di materiale plastico o comunque non metallico, dovranno essere smontati e smaltiti separatamente.



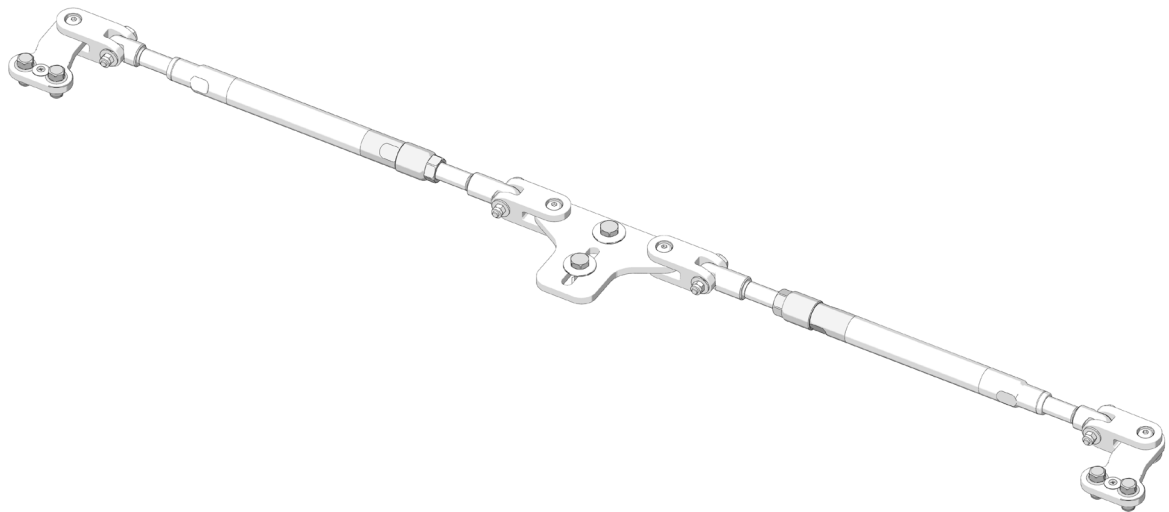




# Manuel d'installation et d'entretien

## BARRE D'ACCOUPLLEMENT

A97



CE



# ULTRAFLEX



ASSOCIE





## Cher Client,

Nous vous remercions pour avoir choisi un produit **ULTRAFLEX**.

La Société **ULTRAFLEX** est depuis plusieurs années un point de repère dans les systèmes de gouvernement dans le domaine de la navigation de plaisance et professionnelle.

La production **ULTRAFLEX** est depuis toujours une garantie de grande fiabilité et sécurité.

Tous les produits **ULTRAFLEX** sont conçus et fabriqués pour assurer toujours les performances les meilleures. Pour assurer votre sécurité et pour maintenir toujours un niveau de qualité élevé **ULTRAFLEX** ne garantit ses produits que si les pièces de rechange originales sont utilisées (voir annexe "Application Spare Parts").

Les Systèmes de Gestion de la Qualité **ULTRAFLEX** et **UFLEX** sont certifiés par le Det Norske Veritas - Germanischer Lloyd (DNV-GL), en conformité avec la Norme UNI EN ISO 9001:2015.

Le système Qualité implique toutes les ressources et les processus d'entreprise à partir de la conception du projet au but de:

- assurer au client la qualité du produit;
- maintenir et améliorer continuellement les standard de qualité;
- poursuivre une amélioration continue de l'efficacité des processus afin de répondre toujours aux exigences du marché et d'augmenter la satisfaction des Clients;

Le système de Gestion Environnementale de la Qualité **ULTRAFLEX** est certifié par le Det Norske Veritas - Germanischer Lloyd (DNV-GL), en conformité avec la Norme UNI EN ISO 14001:2015.

Vérifier la conformité des produits aux prescriptions de la directive 2013/53/EU.



"**ULTRAFLEX** avec plus de 80 années d'expérience dans le domaine nautique, est aujourd'hui une industrie de pointe sur échelle mondiale dans la production de systèmes de gouvernement mécaniques, hydrauliques, électroniques, boîtes de commande et volants pour bateaux moteur pour la plaisance, la pêche ou le travail de toutes les dimensions et types de motorisations.

La fiabilité de nos produits et le service pré-vente et après-vente, la qualité de l'organisation de l'entreprise et des ressources humaines aussi bien que les investissements continus dans la recherche et le développement sont des facteurs fondamentaux pour expliquer le succès croissant de nos produits dans le monde entier".

**ULTRAFLEX Sp.A.**

16015 Casella (Genova) Italia - Via Crose, 2

## INDEX GENERAL



INDEX DES REVISIONS DU DOCUMENT.....	36
EMPLOI DU MANUEL ET SYMBOLES UTILISES.....	37
LETTRE D'INFORMATION .....	38
GARANTIE .....	38

---

---

### SECTION 1 - DESCRIPTION DU PRODUIT



1.1 CARACTERISTIQUES GENERALES .....	39
1.2 CONTENU EMBALLAGE .....	40

---

---

### SECTION 2 - INSTALLATION



2.1 OUTILS NECESSAIRES .....	41
2.2 INSTALLATION A97 .....	41

---

---

### SECTION 3 - ENTRETIEN



3.1 ENTRETIEN ORDINAIRE .....	46
3.2 ENTRETIEN EXTRAORDINAIRE.....	46

---

---

### SECTION 4 - DEMOLITION



4.1 DEMOLITION.....	47
---------------------	----

## INDEX DES REVISIONS DU DOCUMENT

Rév.	Date	Description de la révision
0	18/12/2020	Première réalisation

## EMPLOI DU MANUEL ET SYMBOLES UTILISES

Le MANUEL D'INSTALLATION ET D'ENTRETIEN est le document qui accompagne le produit de sa vente jusqu'à son remplacement et sa démolition. C'est donc une partie fondamentale du produit lui-même.

Il faut lire le manuel avant TOUTE ACTIVITE concernant le produit y compris sa manutention et son déchargement du moyen de transport.


Les symboles ci-dessous ont été adoptés dans le manuel afin d'assurer la sécurité de l'utilisateur et le fonctionnement correct du produit:

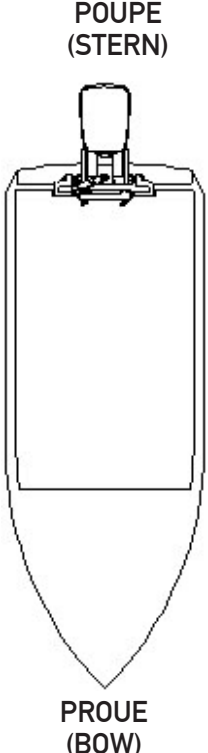
**⚠ DANGER** ➔ Dommages immédiats qui CAUSENT des blessures graves à la personne ou qui en provoquent la mort.

**⚠ AVERTISSEMENT** ➔ Il indique qu'il y a un danger qui peut provoquer des lésions ou la mort si on n'adopte pas les précautions appropriées.

**⚠ ATTENTION** ➔ Il indique un appel à l'application de pratiques de sécurité ou il appelle l'attention sur des pratiques non sûres qui pourraient causer des lésions personnelles ou des dommages au bateau ou aux composants ou à l'environnement.

**NOTE** ➔ Information importante pour une installation adéquate et pour l'entretien, qui ne cause pas de dommages.

 ➔ Les opérations pour l'exécution desquelles on demande du personnel qualifié ou spécialisé, afin d'éviter toute sorte de risques, sont indiquées avec le symbole à côté. On recommande de former le personnel préposé à l'installation du produit et de vérifier si ce qui est prévu a été compris et mis en oeuvre.



POUPE  
(STERN)

TRIBORD  
(STARBOARD)

BABORD  
(PORT)

PROUE  
(BOW)

➔ La figure à côté peut guider l'interprétation de certains termes nautiques contenus dans ce manuel.

**LEGENDE**

m.p.h. = milles par heure  
km/h = kilomètres par heure

10 m.p.h. = 8,69 noeuds  
10 m.p.h. = 16,1 km/h  
10 noeuds = 11,5 m.p.h.  
10 noeuds = 18,5 km/h  
10 km/h = 6,21 m.p.h.  
10 km/h = 5,4 noeuds



## LETTRÉ D'INFORMATION

Ce manuel d'installation et d'entretien est une partie intégrante du produit et il doit être facilement repérable par le personnel préposé à son emploi et à son entretien. L'utilisateur doit connaître le contenu de ce manuel.

La Société **ULTRAFLEX** décline toute responsabilité en cas d'inexactitudes dues à des fautes d'impression, contenues dans le manuel. Bien que les caractéristiques principales du type de produit décrit ne changent pas, la Société **ULTRAFLEX** se réserve le droit de modifier les descriptions, les détails et les illustrations qu'elle jugera nécessaires afin de l'améliorer, soit pour des exigences de caractère constructif ou commercial, dans n'importe quel moment et sans être obligé de mettre à jour le manuel tout de suite.

**TOUS LES DROITS SONT RESERVES.** Les droits de publication, les marques, les sigles et les photos des produits **ULTRAFLEX** contenus dans ce manuel appartiennent à la Société **ULTRAFLEX** qui en interdit toute sorte de reproduction même partielle. Tous les soins ont été pris pour rassembler et contrôler la documentation contenue dans ce manuel afin de le rendre le plus complet et le plus compréhensible possible. Rien de ce qui est contenu dans cette publication ne peut être interprété comme garantie ou condition explicite ou implicite - y compris, pas en voie limitative, la garantie d'aptitude pour un but particulier. Rien de ce qui est contenu dans cette publication ne peut être interprété comme modification ou assertion des termes de n'importe quel contrat d'achat.

### AVERTISSEMENT

Le produit doit être installé par du personnel formé afin d'assurer son fonctionnement correct et celui de ses composants. En cas de rupture de parties ou de mauvais fonctionnement, s'adresser au personnel spécialisé ou contacter notre Service d'Assistance Technique.

### SERVICE D'ASSISTANCE TECHNIQUE

#### **UFLEX Sr.l.**

Via Milite Ignoto,8A

16012 Busalla (GE)-Italia

Tel: +39.010.962.01

Email: [service@ultraflexgroup.it](mailto:service@ultraflexgroup.it)

[www.ultraflexgroup.it](http://www.ultraflexgroup.it)

Amérique du nord - du sud - centrale:

#### **UFLEX USA**

6442 Parkland Drive

Sarasota, FL 34243

Tel: +1.941.351.2628

Email: [sales@uflexusa.com](mailto:sales@uflexusa.com)

[www.uflexusa.com](http://www.uflexusa.com)

## GARANTIE

La Société **ULTRAFLEX** garantit que ses produits sont fabriqués à règles d'art et qu'ils n'ont aucun défaut de fabrication et de matériels. Cette garantie a une validité de deux années à partir de la date de fabrication des produits à l'exception des cas où ils sont installés et utilisés sur des bateaux de travail ou de commerce, car alors la garantie est limitée à une année de la date de fabrication. Dans le cas où, pendant cette période le produit s'avérerait défectueux à cause des matériaux utilisés ou/et présente des vices de fabrication, le fabricant le remplacera ou le réparera gratuitement. Tout autre dommage direct ou indirect est exclu de la garantie. En particulier la Société constructrice n'est pas responsable et cette garantie ne couvre pas les dommages dérivant d'une installation incorrecte ou d'un emploi inadéquat ou abusif des produits (à l'exception du remplacement ou de la réparation des pièces défectueuses dans les termes et les délais susmentionnés).

Cette garantie ne couvre pas les produits installés sur des bateaux de course ou utilisés pour des compétitions. Les descriptions et les illustrations contenues dans ce manuel sont seulement à titre indicatif. Pour toute information détaillée contacter notre Service d'Assistance.

Les composants des systèmes de conduite **ULTRAFLEX** sont pourvus de la marque **CE** en conformité avec la directive 2013/53/EU. On rappelle que sur les bateaux pourvus de la marque **CE** il est obligatoire d'installer des systèmes de conduite dont les composants sont marqués **CE**.

Nous vous informons que la garantie **ULTRAFLEX** échoit automatiquement au cas où certains composants **ULTRAFLEX** seraient installés dans un système de gouvernement avec des produits de marques différentes.



# 1 DESCRIPTION DU PRODUIT

## 1.1 Caractéristiques générales

La barre A97 est fabriquée complètement en acier inoxydable et elle est déjà préassemblée. Sa longueur est réglable même après l'avoir installée. Les distances entre-axes varient de 660 mm (26") à 762 mm (30") et de 762 mm (30") à 900 mm (35.5") selon la version (A97-30 et A97-35.5).

La barre est compatible avec:

- Suzuki 200/225/250/300/350 V6/V8
- Suzuki 150/175/200 L4
- Yamaha 200/225/250/300 V6
- Yamaha 150/175/200 L4
- Honda 200/225/250 V6
- Evinrude V4 and V6 E-TEC
- Mercury 175/200/225 V6 Fourstroke
- Mercury 250/275/300 V8 Fourstroke
- Mercury OPTIMAX V6

### NOTE

La distance entre-axes est la distance entre les centres des trous présents sur les bras des moteurs quand ils sont parallèles.

### ⚠ AVERTISSEMENT

Elle peut être utilisée dans les applications avec moteur hors-bord triple et avec vérin double type UC130-SVS (or UC128-OBF et UC128-SVS) pour montage frontal.

### ⚠ AVERTISSEMENT

Avant de commencer l'installation vérifier encore la compatibilité de montage de la barre A97 avec votre application.

### ⚠ AVERTISSEMENT

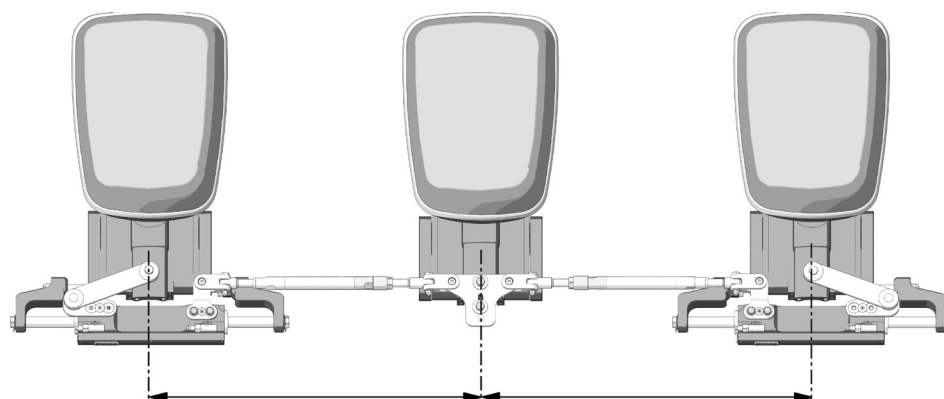
En général, la barre A97 permet d'incliner les moteurs indépendamment, l'utilisateur doit le contrôler.

### ⚠ ATTENTION

Il faut commander un vérin standard pourvu de bras de renvoi assemblé dans le tribord et un vérin pourvu de bras de renvoi assemblé dans le bâbord.

### ⚠ AVERTISSEMENT

Pour permettre la polymérisation correcte des freins filets, attendre 24 heures après l'assemblage de la barre avant l'utilisation.

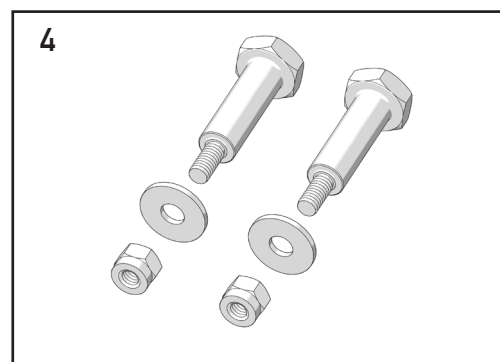
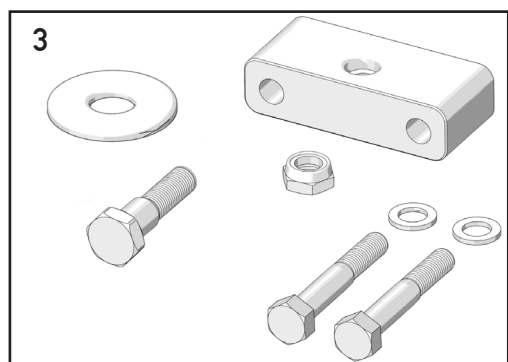
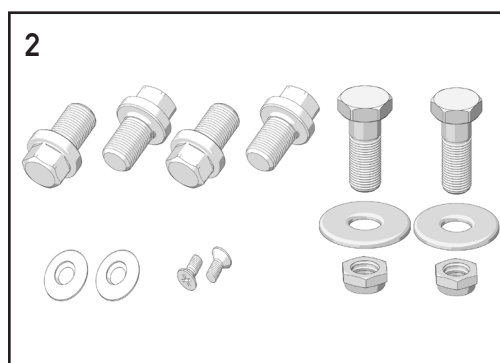
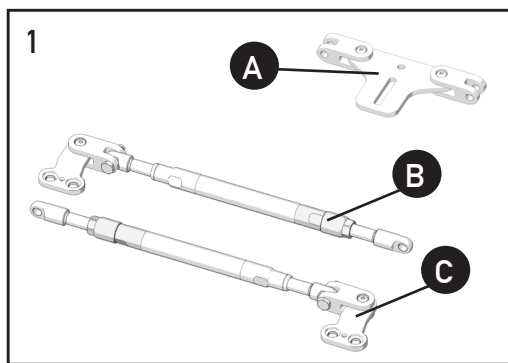


A97-30: 660-762 mm (26"-30")  
 A97-35.5: 762-900 mm (30"-35.5")



### 1.2 Contenu emballage

1. Composants pré-assemblés barre A, B et C
2. Sac D avec vis
3. Sac E avec étrier et vis
4. Sac F avec vis



#### NOTE

Le sac numéro 3 (sac E) doit être utilisé seulement avec les moteurs suivants:

- Mercury 175/200/225 V6 Fourstroke
- Mercury 250/275/300 V8 Fourstroke
- Mercury OPTIMAX V6





## 2 INSTALLATION

### 2.1 Outils nécessaires



Clés hexagonales 10-14-16 mm



2x

Clé hexagonale 22 mm



Clé dynamométrique



Tournevis cruciforme



Loctite® 270



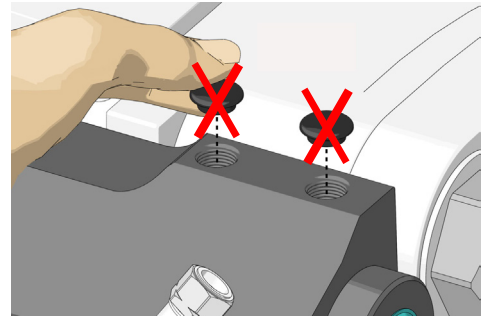
Clé mâle six pans de 4mm

### 2.2 Installation A97

1 Installer les vérins dans les moteurs extérieurs consultant les instructions fournies à l'intérieur de leur manuel.

#### NOTE

Les opérations décrites au point 3 INSTALLATION DES COMPOSANTS PRE-ASSEMBLES peuvent être effectuées avant d'installer les vérins dans les moteurs.

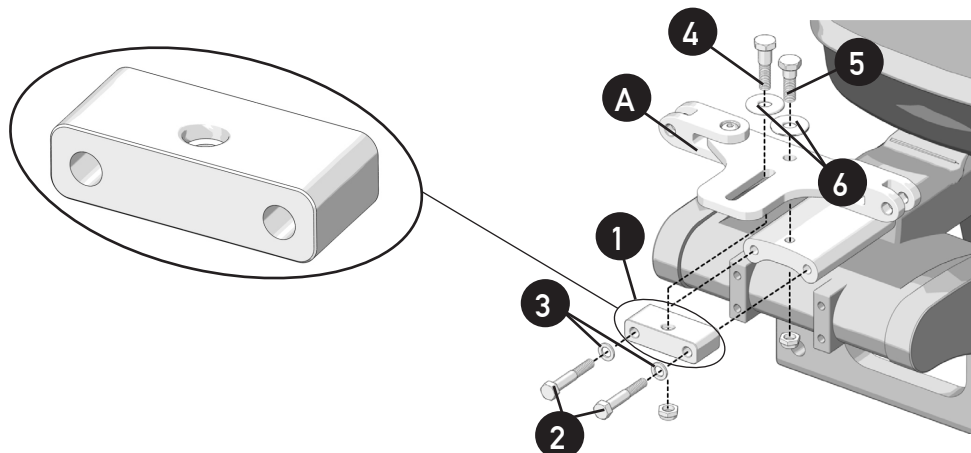


### 2 INSTALLATION ETRIER A

Dans le cas des moteurs Mercury listés à la page 40, il faut assembler l'étrier (1) sur le bras du moteur central, en positionnant les vis 5/16 UNF (2) et en interposant les rondelles (3) (tous ces éléments sont fournis dans le sac). Serrer au couple indiqué par le motoriste.

#### NOTE

Positionner l'étrier comme indiqué dans la figure, avec le lamage du trou vers le haut et positionné à la plus grande distance du trou sur le bras du moteur. Assembler l'étrier central de la barre (A), positionner la vis la plus longue fournie dans le sac E (4) près du trou sur l'étrier déjà assemblé et une des vis contenues dans le sac D (5) près du trou sur le bras moteur en interposant les rondelles (6) fournies relativement dans les sacs E et D.



Pour les autres moteurs listés, positionner la vis (5) et la rondelle (7). (contenues dans le sac D). Connecter l'étrier central de la barre (8) au bras du moteur (9), serrer la vis à l'aide d'une clé de 14 mm avec un couple de serrage de 54 [Nm] (40 [lb · ft]). Visser l'écrou autofreiné (10) à l'aide d'une clé de 9/16" et le serrer avec un couple de serrage de 27 [Nm] (20 [lb x ft]). Après avoir serré l'écrou (10), vérifier de nouveau le couple de serrage correct 54 [Nm] (40 [lb x ft]) de la vis (5).

### ⚠ AVERTISSEMENT

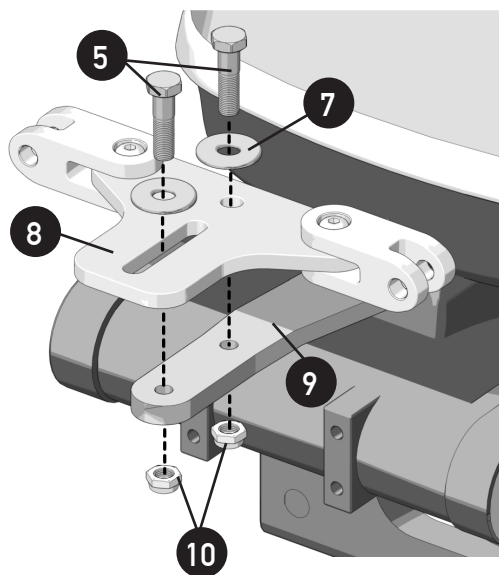
Pour serrer la vis (5) et l'écrou autofreiné (10) sur le bras moteur, demander à votre motoriste de déterminer le couple maximum autorisé. Si cette valeur est inférieure à celle indiquée dans ce manuel, serrer au couple indiqué par le motoriste.

### ⚠ ATTENTION

Il est important de vérifier périodiquement, au moins tous les 3 mois (ou tous les mois pour un usage professionnel), le serrage correct de cette vis (5) et de l'écrou autofreiné (10).

### ⚠ AVERTISSEMENT

En cas de démontage de l'écrou autofreiné (10), ce dernier doit être remplacé. (Contacter notre service d'assistance).

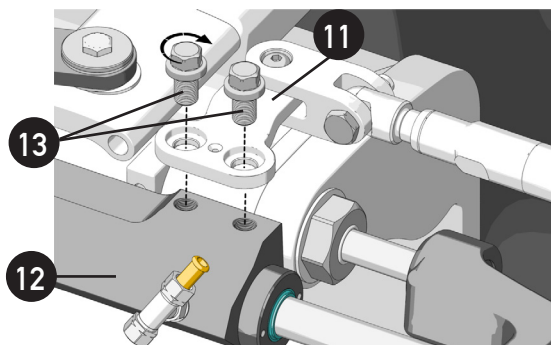


## 3 INSTALLATION COMPOSANTS PRE-ASSEMBLES B et C

3.1 Assembler les étriers (11) dans les corps vérin (12) en utilisant les vis fournies (13) contenues dans le sac D. Serrer les vis avec un couple de serrage de 95[Nm] (70 [lb-ft]) à l'aide d'une clé hexagonale de 14 mm.

### ⚠ DANGER

Le desserrage des vis provoque une détérioration et une inefficacité conséquente du frein filet pré-appliqué. En cas de desserrage des vis, elles doivent être remplacées.



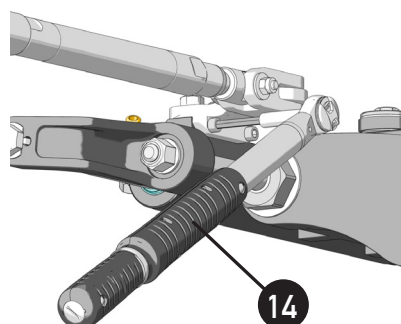
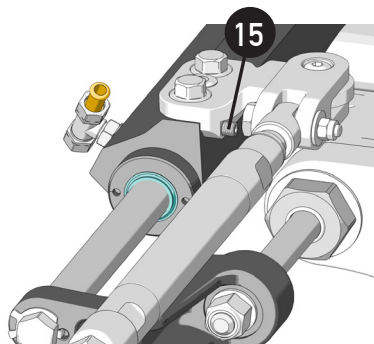
3.2 A l'aide de la clé mâle six pans (14) serrer les goujons (15) déjà insérés dans les étriers installés sur les vérins avec le couple de serrage 24,6 Nm [18,14 lb·ft].

### NOTE

Cette opération doit être effectuée, sur chaque étrier, immédiatement après avoir serré les deux vis (13).

### ⚠ DANGER

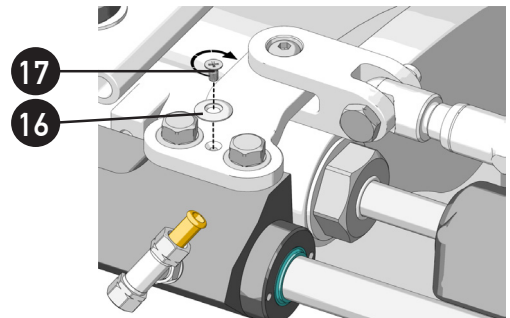
Si les goujons ne sont pas serrés, cela peut provoquer des dommages corporels ou matériels.



3.3 Positionner la rondelle de sécurité (16) dans chaque étrier et la bloquer à l'aide de la vis (17) en appliquant frein de vis comme Loctite® 270 ou équivalent avec un couple de serrage 3[Nm] (2 [lb-ft]).

**⚠ DANGER**

La non-utilisation de la vis (17) et de la rondelle de sécurité (16) provoque des dommages aux personnes ou aux choses.



### 4 REGLAGE DE LA LONGUEUR DE LA BARRE

4.1 Bloquer les trois moteurs:

- droits et parallèles si la convergence ou la divergence n'est pas requise (fig.1)
- moteurs extérieurs convergents (fig. 2)
- moteurs extérieurs divergents (fig.3)

**NOTE**

Avec la même distance entre-axes des moteurs, la longueur "L" de la barre variera en fonction de l'angle de convergence ou de divergence choisi.

FIG. 1

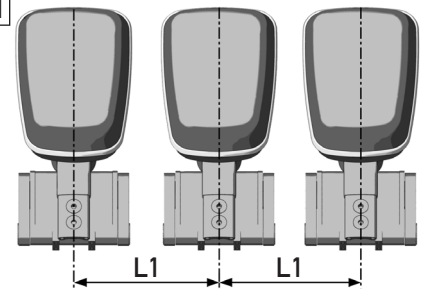


FIG. 2

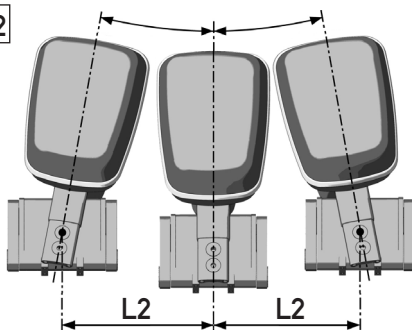
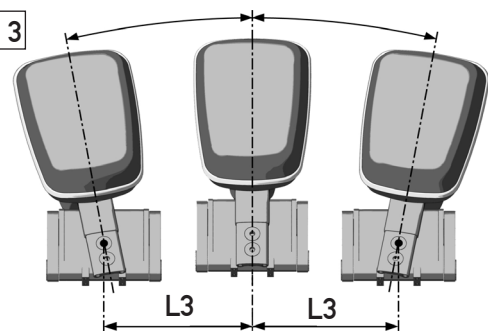


FIG. 3

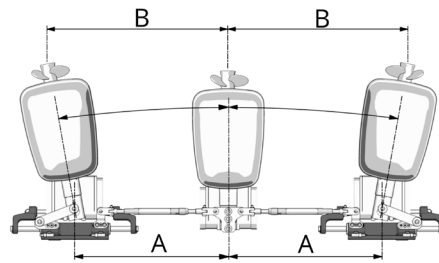
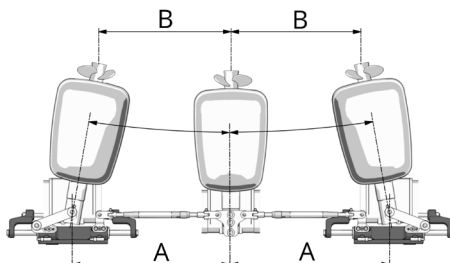


**⚠ AVERTISSEMENT**

Pour le réglage de l'angle de convergence ou de divergence, suivre tout ce qui est indiqué par le constructeur du moteur, en imposant dans tous les cas et dans n'importe quelle direction un angle total non supérieur à 5° et une différence entre les mesures "A" (mesure de la distance entre-axe des moteurs sur le bateau) et "B" (distance entre les axes des hélices) inférieure à 1" (25.4mm) (voir figure).

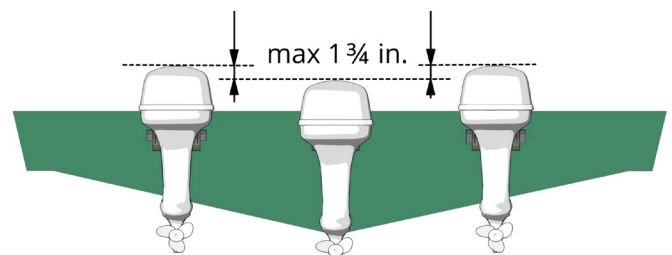
**⚠ AVERTISSEMENT**

Suivre exactement la procédure de réglage des moteurs.



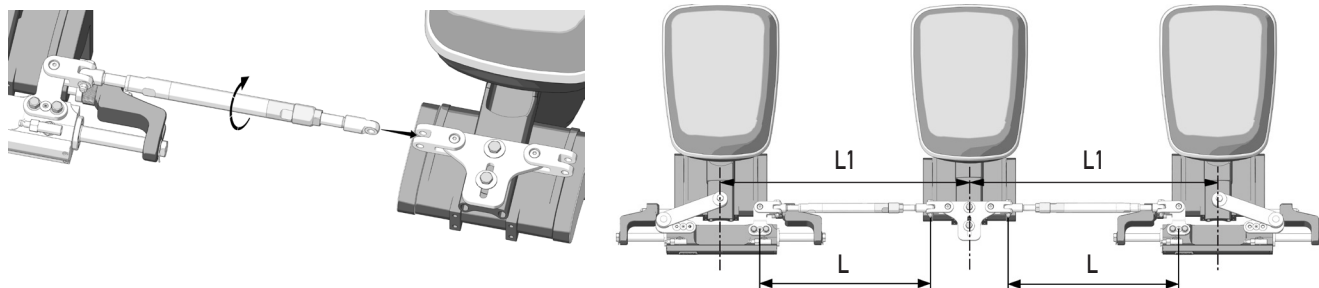
**⚠ AVERTISSEMENT**

En cas de hauteur de montage différente, la différence de hauteur entre les moteurs centraux et latéraux doit être inférieure à 44,5 mm (1 3/4 in.).



4.2 Régler la longueur de chaque unité préassemblée en tenant l'extrémité libre de la barre et en faisant tourner (manuellement ou à l'aide d'une clé de 22 mm) l'élément central de la barre jusqu'à ce que le trou de l'extrémité de la barre soit aligné avec le trou du connecteur sur le support du moteur central selon la distance entre-axes L1 des moteurs.

	DISTANCE ENTRE-AXES MOTEUR	LONGUEUR INDICATIVE DE LA BARRE L
A97 - 30: 26" - 30.5" 660 - 762 mm	26"	481 mm (19")
	27"	507 mm (20")
	28"	532 mm (21")
	29"	558 mm (22")
A97 -35.5: 30" - 35.5" 762 - 900 mm	30"	583 mm (23")
	31"	609 mm (24")
	32"	634 mm (25")
	33"	659 mm (26")
	34"	685 mm (27")
	35.5"	722 mm (28.5")



### ⚠ AVERTISSEMENT

NE PAS FORCER LE DEVISSAGE DES EMBOUTS QUAND ON ATTEINT L'EXTENSION MAXIMALE.

### ⚠ DANGER

FORCER LE DEVISSAGE DES EMBOUTS PEUT ENDOMMAGER IRREMIABLEMENT LA BARRE.

### NOTE

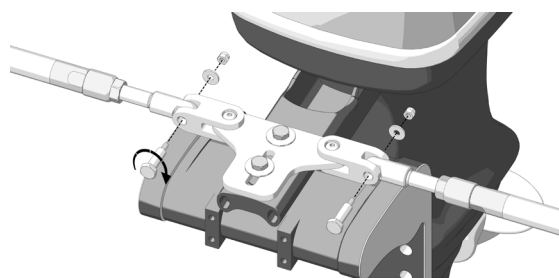
Faire attention à ne pas endommager le filetage exposé: des bosselures sur le filetage provoquent du gripage des parties.

### NOTE

La corrélation de la distance entre-axes L2 ou L3 et la longueur de la barre dépend de l'angle de divergence ou de convergence choisi.

## 5 CONNEXION BARRES AU MOTEUR CENTRAL

Connecter chaque extrémité au connecteur correspondant de l'étrier A du moteur central au moyen d'une vis, d'une rondelle et d'un écrou autobloquant M6 (fourni dans le sac F) en utilisant les clés de 10 mm et 16 mm avec un couple de serrage de 8,5 Nm (6,27 lb ft).



6 Une fois l'opération 5 terminée, afin d'éviter toute modification accidentelle des barres, il est nécessaire de les bloquer en les serrant le collier (18) à l'aide d'une clé de 22 mm avec un couple de serrage de 40[Nm] (29.52 [lb-ft]) en utilisant une deuxième clé sur l'élément d'extrémité (19).



### **⚠ DANGER**

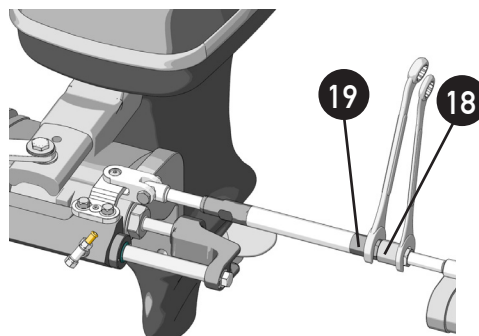
Si la bague n'est pas serrée pendant l'emploi de la barre, cela peut causer des dommages aux personnes ou aux choses.

### **⚠ AVERTISSEMENT**

Vérifier s'il est possible d'incliner le moteur, de façon indépendante et dans des différentes positions de direction.

### **⚠ ATTENTION**

La barre et/ou les connexions de la barre elle-même ne doivent, en aucun cas, constituer une limitation à la direction permise par le système de gouvernement installé et au relevage des moteurs eux-mêmes.



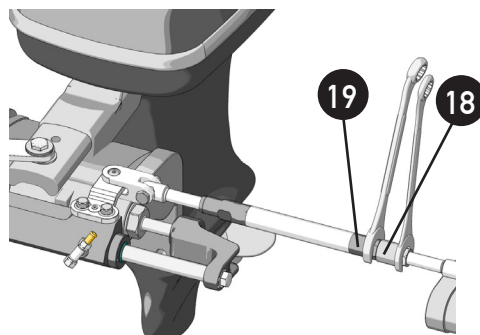
## 7 REGLAGE DE LA DISTANCE ENTRE-AXES AVEC LA BARRE INSTALLEE

Si pendant l'emploi du bateau il est nécessaire de varier la distance entre-axes des moteurs (c'est-à-dire l'angle de divergence ou de convergence), suivre la procédure suivante.

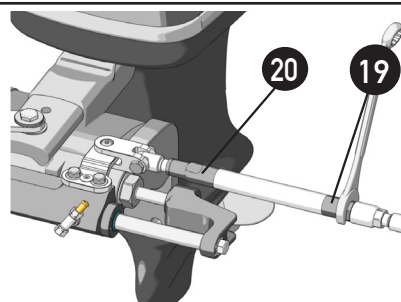
### **⚠ AVERTISSEMENT**

Avant d'effectuer les opérations suivantes, il est obligatoire d'éteindre les moteurs et d'opérer dans le respect des conditions de sécurité.

7.1 En utilisant une clé de 22 mm desserrer la bague (18) de la barre à régler (ou de toutes les deux si nécessaire) en la bloquant à l'aide d'une deuxième clé sur l'élément d'extrémité (19).



7.2 A l'aide d'une clé de 22 mm agir sur un des éléments d'extrémité (20) ou (19) et effectuer le réglage de la longueur de la barre.



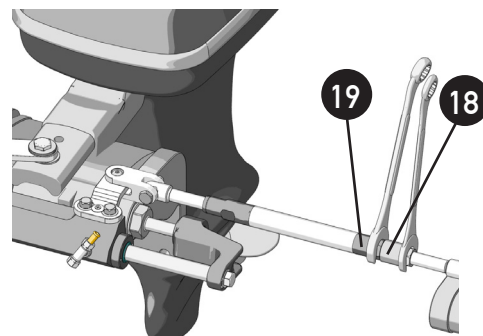
7.3 Une fois le réglage effectué, serrer de nouveau le collier (18) à l'aide d'une clé de 22 mm avec un couple de serrage de 40[Nm] (29.52 [lb-ft]) en utilisant une deuxième clé sur l'élément d'extrémité (19).

### **⚠ AVERTISSEMENT**

Vérifier s'il est possible d'incliner le moteur, de façon indépendante et dans des différentes positions de direction.

### **⚠ ATTENTION**

La barre et/ou les connexions de la barre elle-même ne doivent, en aucun cas, constituer une limitation à la direction permise par le système de gouvernement installé et au relevage des moteurs eux-mêmes.



## 3 ENTRETIEN

### 3.1 Entretien ordinaire

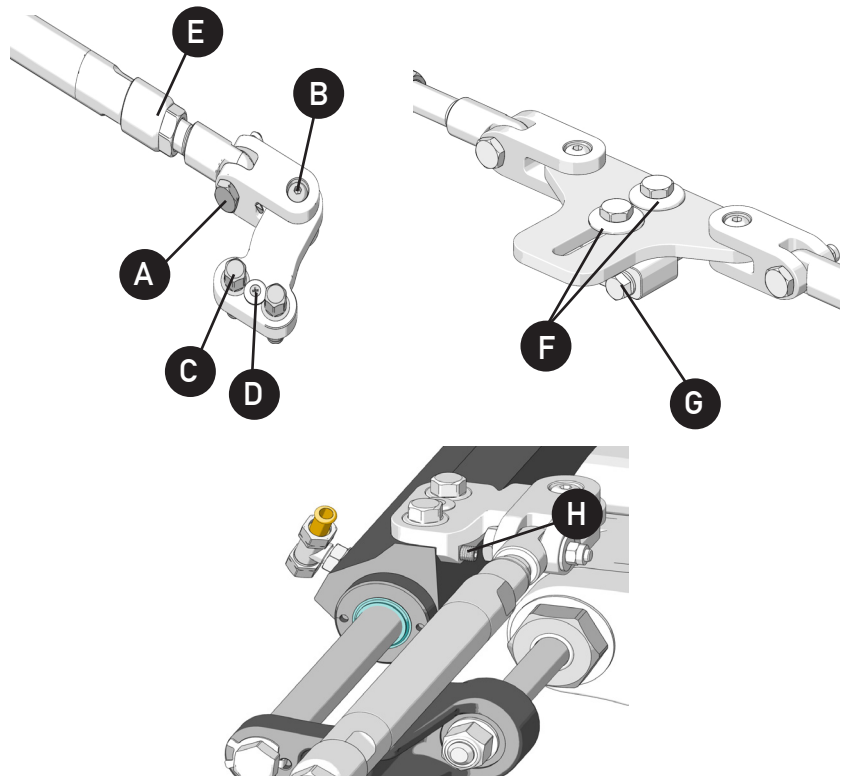
#### AVERTISSEMENT



La non-observation des contrôles d'entretien peut causer la perte de guidage avec des dommages matériels et/ou des lésions personnelles.

- Après les 10 premières heures d'emploi et ensuite périodiquement vérifier l'intégrité de la barre et le serrage des connexions.

- A: 8,5 [Nm] (6,27 [lb·ft])
- B: 23 [Nm] ( 16,96 [lb·ft])
- C: 95 [Nm] (70 [lb·ft])
- D: 3 [Nm] (2 [lb·ft]).
- E: 40 [Nm] (29,52 [lb·ft])
- F: Voir point 6 paragraphe 2.2
- G: Voir point 6 paragraphe 2.2
- H: 24,6 [Nm] (18,14 [lb·ft])



- Laver les composants périodiquement avec de l'eau douce afin d'enlever les dépôts de sel éventuels.

#### DANGER

Au cas où les écrous autofreinés et les éléments C et H (voir les figures au-dessus) seraient désassemblés, il faut les remplacer. (Contacter notre service d'assistance).

### 3.2 Entretien extraordinaire



#### Assistance technique

Pour n'importe quelle information ou pour assistance relative à des applications particulières, nous vous invitons à contacter notre service d'assistance technique (Voir paragraphe "Lettre d'information").



## 4 DEMOLITION

### 4.1 Démolition

Si la barre d'accouplement doit être mise hors service pour quelques raisons que ce soit, les règles fondamentales suivantes doivent être observées pour la protection de l'environnement.

Gaines, conduits flexibles, composants de matériel plastique ou non métalliques, devront être désassemblés et éliminés séparément.

