



Hella marine

APELO

Underwater Lighting Brilliance



Apelo A3 Underwater Light Bronze - 6000 Lumen



The ultimate in the Hella marine Apelo Underwater Light range is the A3 Bronze, supercharged with an intense 6000 lumen of light output.

Where the Apelo truly shines is its optical intelligence. Apelo's precision optical distribution system spreads light across the water without losing light to the depths, projecting wide across the transom. Apelo's distinctive Edge Light signatures also illuminate your vessel, in or out of the water.

The 'Fish mode' strobe function on the Apelo A3 Blue / White version offers each color a strobe mode, activated simply by toggling power to the lamp. The Apelo RGBW* version features dedicated white light emitting LEDs, adding brighter and more intense white light to your RGB underwater lighting.

A marine grade bronze housing delivers the ultimate in protection from harsh conditions, offering superior durability, and thermal management properties. The Apelo A3 is perfect for permanently submerged installations on larger boats or those wanting the most out of their light performance. Suitable for fiberglass, timber, steel, and composite hulls.**

Made in New Zealand and backed by Hella marine's 5 year warranty, Apelo Underwater Lights are built to last.



Vibrant blue or intense white UV resistant



Corrosion resistant bronze Edge Light

Completely sealed Impact resistant Grilamid® lens



Choose any RGBW* color 6000 lumen

*Connect Apelo RGBW lights to an RGBW lighting controller for unlimited color selection (Not supplied). ** Mountable on aluminum hulled vessels with a suitable isolation spacer.

APELO

A3 Bronze 6000 Lumen



Apelo's advanced optics projects light with a wide 90° horizontal spread, while its shallow 24° vertical beam height means the light can spread further through the water.

For the ultimate in corrosion resistance and durability, a marine grade bronze housing is the best choice for permanently submerged vessels.

The Apelo A3 models are equipped with an advanced thermal management system to allow operation in or out of the water.


Part Number	Description
2LT 016 830-001	A3 Blue / White - White Lens
2LT 016 831-001	A3 RGBW - White Lens

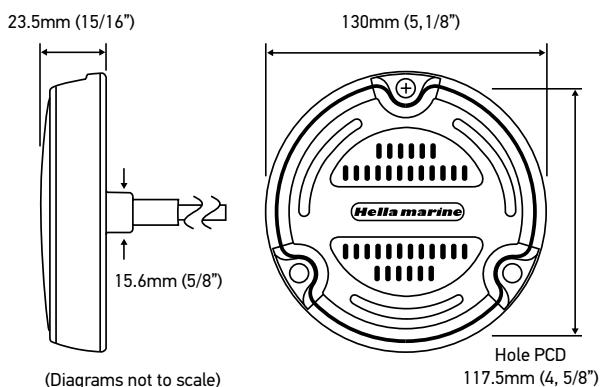


2LT 016 830-001



2LT 016 831-001

Product Specifications	
Mounting	Transom / Surface
Voltage	Multivolt™ 12 / 24V DC Nominal
Max. Power Consumption	Blue / White 70W / 5.9A @ 12V, 2.9A @ 24V RGBW 70W / 5.9A @ 12V, 2.9A @ 24V Edge Light <5W / 0.37A @12V, 0.2A @ 24V
Max. Light Output	6000 lumen (White)
Colour Temperature	5000K (White)
Beam	90° x 24°
Protection	Spike protected to +500 volts, Reverse polarity protected to -700 volts. IP68 / IP69: Suitable for submersion in operation and high pressure water jet cleaning. High temperature thermal cutout for out of water
Cable Length	2.5m / 8.2ft, tinned marine cable
Ideal Depth	100–500mm
Ideal Width	600–1200mm
Lens Material	Grilamid® (Premium grade, UV stable, impact resistant Nylon)
Base Material	Marine grade bronze
Compliance	CE, UKCA EN55015 / CISPR 15, IEC60533, IEC61547, ICES-005 



Hella marine AsiaPacific - MiddleEast
HELLA New Zealand Ltd
81-83 Ben Lomond Crescent
Pakuranga 2010,
Auckland, New Zealand
Phone +64 9 577-0366
info@hellamarine.com

Hella marine Australia
HELLA Australia Pty Ltd
4 Hargrave Place
Mentone, Victoria 3194 Australia
Techline: 1800 061 729
hellaorders@hella.com
info.au@hella.com

Hella Automotive Sales, Inc.
201 Kelly Drive
Peachtree City,
GA 30269 USA
+1 770-626-2319
Kevin.Watkiss@hella.com

HELLA GmbH & Co. KGaA
Rixbecker Str. 75
59552 Lippstadt / Germany
Phone: +49 29 41 38 66 44
Rita.Mueller@hella.com