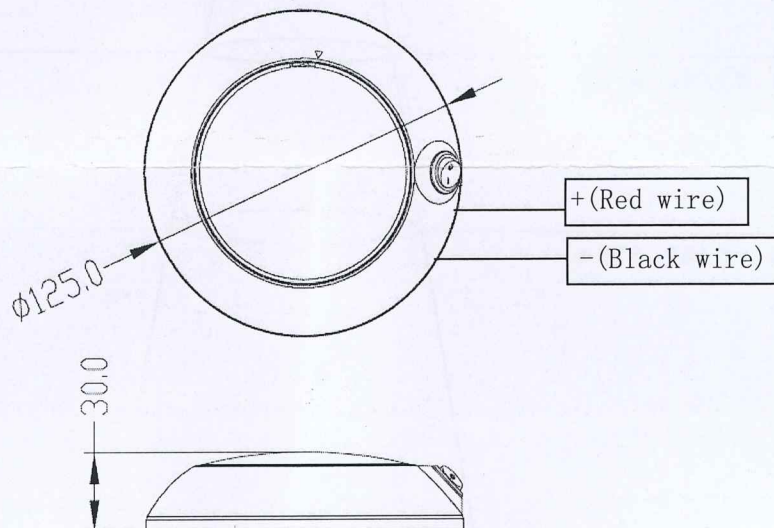


E012052

Material	Made of ABS
Housing Colour	White
LED Colour	Daylight White
LED	24 PCS
LED Beam Angle	120°
Colour Temperature	<input type="checkbox"/> Warm White: K <input checked="" type="checkbox"/> Daylight White: 5500-6300 K
Features	Surface mount
Working Voltage	DC12V
Wattage	4.4 W
Effective Lumen/Power compared to standard bulb	328Lumen/50W
life TEST FOR LED LAMP(1000 hours)	Lumen Maintenance Percentage>95%
Operation Temperature	-20° ~ +45°C
Certificate	<input type="checkbox"/> UL <input type="checkbox"/> CE <input type="checkbox"/> RoHS <input type="checkbox"/> TUV <input checked="" type="checkbox"/> <input checked="" type="checkbox"/>

The light is for type "Z" attachments. The external flexible cable or cord of this luminaire cannot be replaced; if the cord is damaged, the luminaire shell be destroyed



GONIOPHOTOMETER TEST REPORT

