

Rocna Anchors Dimensions

Rocna.com



To ensure that your new Rocna or Vulcan anchor will fit well on your boat's bow, we offer a number of resources to assist you.

BASIC DIMENSIONS

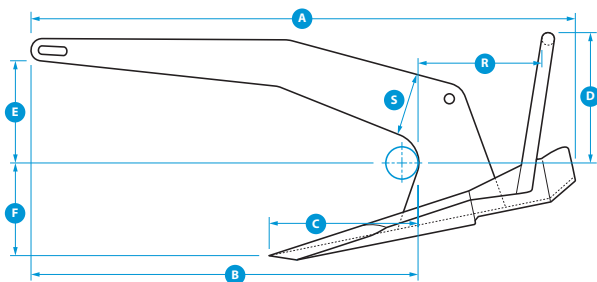
Commonly requested measurements are tabulated below for anchors up to 110 kg (243 lb) at the orientation pictured. This sheet may also be downloaded from Rocna.com. Using these drawings and a tape measure, many boaters can easily determine that a Rocna or Vulcan will fit their boat.

FULL SCALE PATTERNS

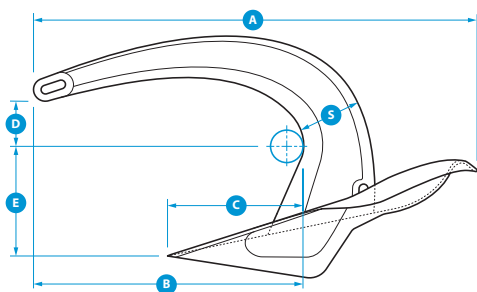
A 2D side-profile of any size anchor may be produced by using the full scale printable patterns available from Rocna.com. You can assemble and use these patterns to evaluate a fit to a higher degree of confidence.

3D OR 2D CAD FILES

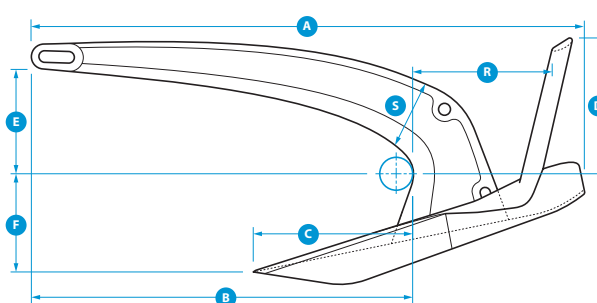
We may supply naval architects or boat builders with accurate CAD files of Rocna and Vulcan models to support the proper integration of the anchor into a vessel's anchoring system. Please contact us.



| SIZE | | ROCNA ORIGINAL | | | | | | | | | | | | | | | | | |
|------|-----|--|------|------|------|-----|------|-----|------|-----|------|-----|------|-----|-----|-----|------|-------|------|
| kg | lb | A | | B | | C | | D | | E | | F | | S | | R | | Width | |
| | | mm | in | mm | in | mm | in | mm | in | mm | in | mm | in | mm | in | mm | in | mm | in |
| 4 | 9 | 547 | 21.5 | 388 | 15.3 | 154 | 6.1 | 133 | 5.2 | 96 | 3.8 | 103 | 4.1 | 75 | 3.0 | 119 | 4.7 | 275 | 10.8 |
| 6 | 13 | 630 | 24.8 | 440 | 17.3 | 170 | 6.7 | 150 | 5.9 | 102 | 4.0 | 123 | 4.8 | 80 | 3.1 | 139 | 5.5 | 315 | 12.4 |
| 10 | 22 | 724 | 28.5 | 516 | 20.3 | 204 | 8.0 | 174 | 6.9 | 130 | 5.1 | 133 | 5.2 | 90 | 3.5 | 163 | 6.4 | 365 | 14.4 |
| 15 | 33 | 830 | 32.7 | 595 | 23.4 | 235 | 9.3 | 205 | 8.1 | 145 | 5.7 | 156 | 6.1 | 100 | 3.9 | 187 | 7.4 | 415 | 16.3 |
| 20 | 44 | 864 | 34.0 | 617 | 24.3 | 244 | 9.6 | 220 | 8.7 | 162 | 6.4 | 158 | 6.2 | 110 | 4.3 | 191 | 7.5 | 435 | 17.1 |
| 25 | 55 | 971 | 38.2 | 695 | 27.4 | 275 | 10.8 | 233 | 9.2 | 175 | 6.9 | 184 | 7.2 | 115 | 4.5 | 210 | 8.3 | 485 | 19.1 |
| 33 | 73 | 1066 | 42.0 | 765 | 30.1 | 280 | 11.0 | 254 | 10.0 | 180 | 7.1 | 206 | 8.1 | 120 | 4.7 | 231 | 9.1 | 532 | 20.9 |
| 40 | 88 | 1142 | 45.0 | 820 | 32.3 | 300 | 11.8 | 278 | 10.9 | 188 | 7.4 | 224 | 8.8 | 130 | 5.1 | 251 | 9.9 | 570 | 22.4 |
| 55 | 121 | 1235 | 48.6 | 883 | 34.8 | 323 | 12.7 | 306 | 12.0 | 225 | 8.9 | 226 | 8.9 | 150 | 5.9 | 264 | 10.4 | 620 | 24.4 |
| 70 | 154 | 1338 | 52.7 | 961 | 37.8 | 354 | 13.9 | 330 | 13.0 | 240 | 9.4 | 250 | 9.8 | 155 | 6.1 | 288 | 11.3 | 670 | 26.4 |
| 110 | 243 | 1490 | 58.7 | 1065 | 41.9 | 390 | 15.4 | 352 | 13.9 | 265 | 10.4 | 286 | 11.3 | 180 | 7.1 | 321 | 12.6 | 745 | 29.3 |
| >110 | | For dimensions and fit support for models Rocna Original 150 (331 lb) and larger, please contact us. | | | | | | | | | | | | | | | | | |



| SIZE | | VULCAN | | | | | | | | | | | | | |
|------|-----|--------|------|-----|------|-----|------|-----|-----|-----|------|-----|-----|-------|------|
| kg | lb | A | | B | | C | | D | | E | | S | | Width | |
| | | mm | in | mm | in | mm | in | mm | in | mm | in | mm | in | mm | in |
| 4 | 9 | 472 | 18.6 | 142 | 5.6 | 145 | 5.7 | 46 | 1.8 | 119 | 4.7 | 67 | 2.6 | 258 | 10.2 |
| 6 | 13 | 541 | 21.3 | 163 | 6.4 | 167 | 6.6 | 53 | 2.1 | 136 | 5.4 | 77 | 3.0 | 296 | 11.6 |
| 9 | 20 | 619 | 24.4 | 186 | 7.3 | 191 | 7.5 | 61 | 2.4 | 156 | 6.1 | 88 | 3.5 | 339 | 13.3 |
| 12 | 27 | 681 | 26.8 | 205 | 8.1 | 210 | 8.3 | 67 | 2.6 | 172 | 6.8 | 97 | 3.8 | 373 | 14.7 |
| 15 | 33 | 734 | 28.9 | 221 | 8.7 | 226 | 8.9 | 72 | 2.8 | 185 | 7.3 | 104 | 4.1 | 402 | 15.8 |
| 20 | 44 | 808 | 31.8 | 243 | 9.6 | 249 | 9.8 | 79 | 3.1 | 204 | 8.0 | 115 | 4.5 | 442 | 17.4 |
| 25 | 55 | 870 | 34.3 | 262 | 10.3 | 268 | 10.6 | 85 | 3.4 | 220 | 8.6 | 124 | 4.9 | 476 | 18.7 |
| 33 | 73 | 955 | 37.6 | 287 | 11.3 | 294 | 11.6 | 93 | 3.7 | 241 | 9.5 | 136 | 5.3 | 522 | 20.6 |
| 40 | 88 | 1018 | 40.1 | 306 | 12.1 | 313 | 12.3 | 100 | 3.9 | 257 | 10.1 | 145 | 5.7 | 557 | 21.9 |
| 55 | 121 | 1132 | 44.6 | 340 | 13.4 | 349 | 13.7 | 111 | 4.4 | 286 | 11.2 | 161 | 6.3 | 619 | 24.4 |



| SIZE | | ROCNA Mk II | | | | | | | | | | | | | | | | | |
|------|-----|---|------|------|------|-----|------|-----|------|-----|------|-----|------|-----|-----|-----|------|-------|------|
| kg | lb | A | | B | | C | | D | | E | | F | | S | | R | | Width | |
| | | mm | in | mm | in | mm | in | mm | in | mm | in | mm | in | mm | in | mm | in | mm | in |
| 4 | 9 | 529 | 20.8 | 365 | 14.4 | 152 | 6.0 | 132 | 5.2 | 99 | 3.9 | 93 | 3.7 | 66 | 2.6 | 132 | 5.2 | 271 | 10.7 |
| 6 | 13 | 606 | 23.9 | 418 | 16.5 | 174 | 6.9 | 151 | 5.9 | 114 | 4.5 | 107 | 4.2 | 75 | 3.0 | 151 | 5.9 | 310 | 12.2 |
| 9 | 20 | 694 | 27.3 | 479 | 18.9 | 199 | 7.8 | 172 | 6.8 | 130 | 5.1 | 122 | 4.8 | 86 | 3.4 | 173 | 6.8 | 355 | 14.0 |
| 12 | 27 | 763 | 30.1 | 527 | 20.8 | 219 | 8.6 | 190 | 7.5 | 143 | 5.6 | 135 | 5.3 | 95 | 3.7 | 190 | 7.5 | 390 | 15.4 |
| 15 | 33 | 822 | 32.4 | 568 | 22.4 | 236 | 9.3 | 204 | 8.0 | 154 | 6.1 | 145 | 5.7 | 102 | 4.0 | 205 | 8.1 | 421 | 16.6 |
| 20 | 44 | 905 | 35.6 | 625 | 24.6 | 260 | 10.2 | 225 | 8.9 | 170 | 6.7 | 160 | 6.3 | 112 | 4.4 | 226 | 8.9 | 463 | 18.2 |
| 25 | 55 | 975 | 38.4 | 673 | 26.5 | 280 | 11.0 | 242 | 9.5 | 183 | 7.2 | 172 | 6.8 | 121 | 4.8 | 243 | 9.6 | 499 | 19.6 |
| 33 | 73 | 1069 | 42.1 | 738 | 29.1 | 307 | 12.1 | 266 | 10.5 | 200 | 7.9 | 189 | 7.4 | 133 | 5.2 | 267 | 10.5 | 547 | 21.5 |
| 40 | 88 | 1140 | 44.9 | 787 | 31.0 | 328 | 12.9 | 284 | 11.2 | 214 | 8.4 | 201 | 7.9 | 141 | 5.6 | 284 | 11.2 | 583 | 23.0 |
| 50 | 110 | 1228 | 48.4 | 848 | 33.4 | 353 | 13.9 | 305 | 12.0 | 230 | 9.1 | 217 | 8.5 | 152 | 6.0 | 306 | 12.1 | 628 | 24.7 |
| 60 | 132 | 1305 | 51.4 | 901 | 35.5 | 375 | 14.8 | 325 | 12.8 | 245 | 9.6 | 230 | 9.1 | 162 | 6.4 | 325 | 12.8 | 668 | 26.3 |
| 80 | 176 | 1437 | 56.6 | 992 | 39.1 | 413 | 16.2 | 357 | 14.1 | 269 | 10.6 | 254 | 10.0 | 178 | 7.0 | 358 | 14.1 | 735 | 28.9 |
| 100 | 220 | 1548 | 60.9 | 1069 | 42.1 | 445 | 17.5 | 385 | 15.1 | 290 | 11.4 | 273 | 10.8 | 192 | 7.6 | 386 | 15.2 | 792 | 31.2 |
| >100 | | For dimensions and fit support for models Rocna Mk II 135 (298 lb) and larger, please contact us. | | | | | | | | | | | | | | | | | |

ANCHOR ANGLE: The above dimensions will vary as the anchor is rotated.

WILL A ROCNA OR VULCAN SELF-LAUNCH?

All Rocna anchors have shank shapes that are designed to self-launch and encourage self-righting on retrieval, ensuring ease of use for all boaters.

WHICH ROCNA TYPE WILL FIT BEST?

Rocna anchors are intended to fit well on most vessels. The Rocna Mk II offers improved clearance vs the Rocna Original at the shank-end and the roll-bar. The Vulcan is specifically designed to fit a wider range of vessels with the omission of a roll-bar to clear anchor platforms, bowsprits, or prods.