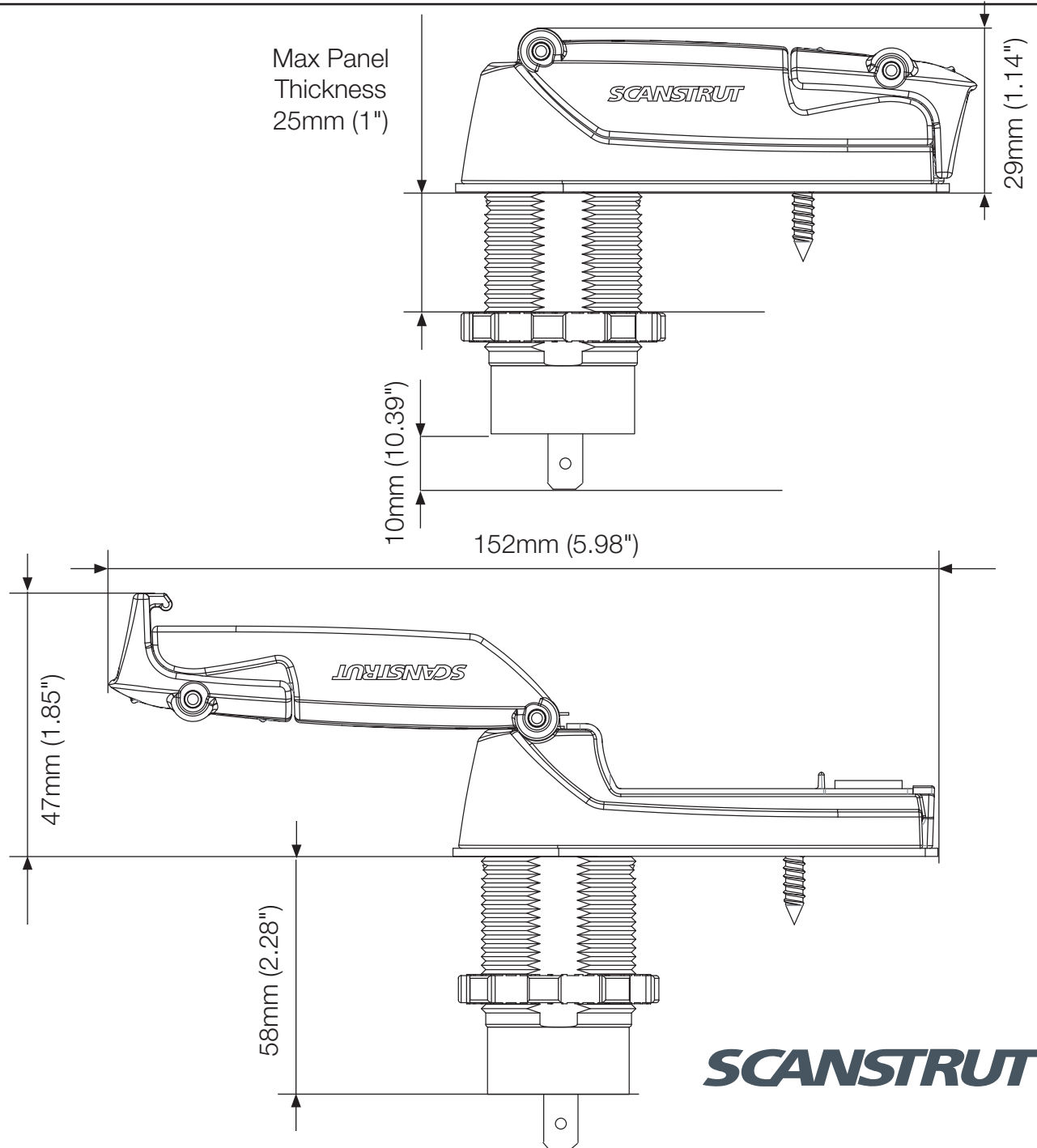
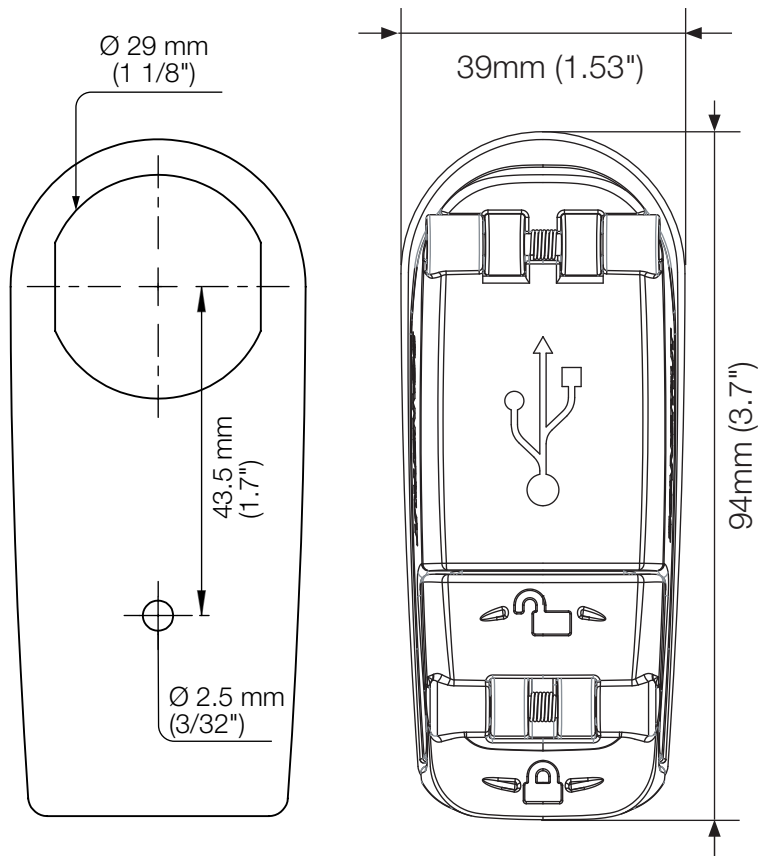


# Scanstrut ROKK Charge Pro - SC-USB-03

For help & information  
 email: [sales@scanstrut.com](mailto:sales@scanstrut.com)  
 tel: +44 (0) 1392531280

## Technical information.

Input voltage 12/24V System	10-32V DC
Input current Max	6 A
Output Type C (12V System)	5V=3A, 9V=3A, 12V=3A MAX
Output Type C (24V System)	5V=3A, 9V=3A, 12V=3A, 15V= 3A, 20V=3A MAX
Output Type A MAX	5V=1.5A, 9V=1.5A, 12V =1.5A/3A MAX
Standby draw	0.01W
Waterproof rating	IPX6
Certification	CE, FCC, C-Tick, ROHS, UKCA



**SCANSTRUT**