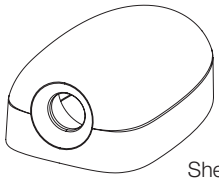
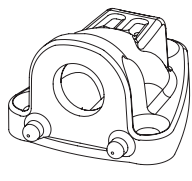
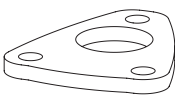
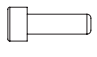

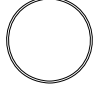
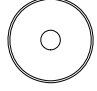
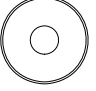
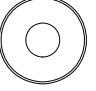

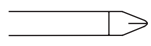


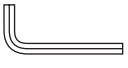
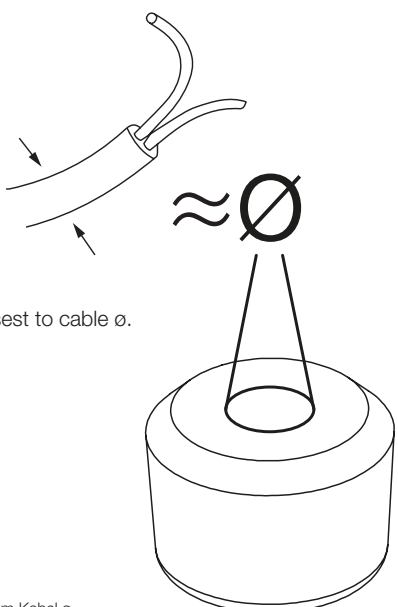


Parts List

 Shell x1	 Base x1	 Gasket x1				
 M4X12 Bolt - (Black*) x1	Self Drill	2mm	3mm	4mm	5mm	6mm
 No. 4X16 self tapping screw x3						Bungs x6

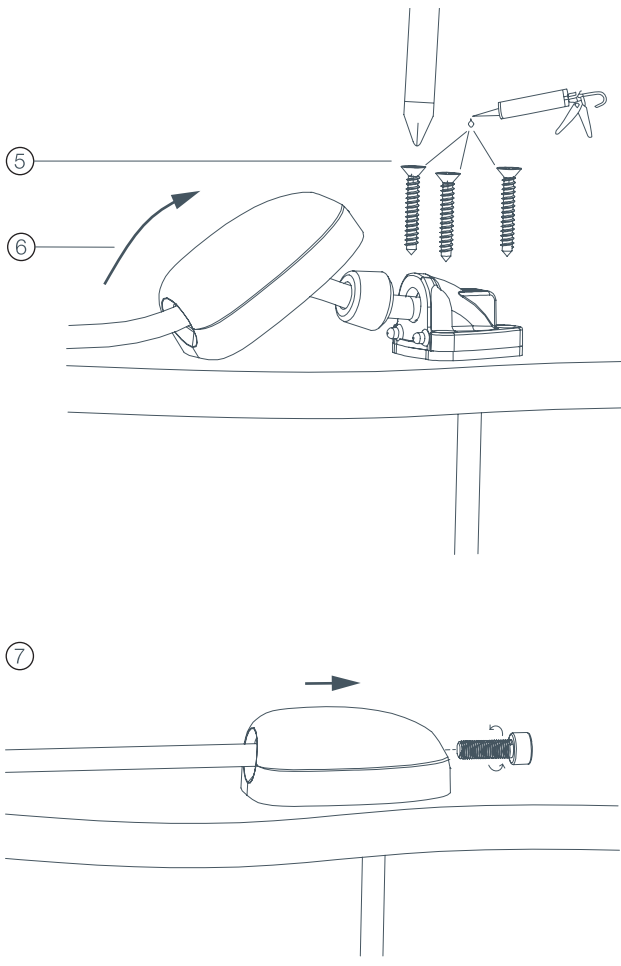
Tools Required

 Pozi Screwdriver	 Silicone
 ø2.5mm (3/32") ø3mm (1/8") ø10mm (25/64") Drill Bit	 3mm (1/8") Allen Key



① Choose bung closest to cable ø.

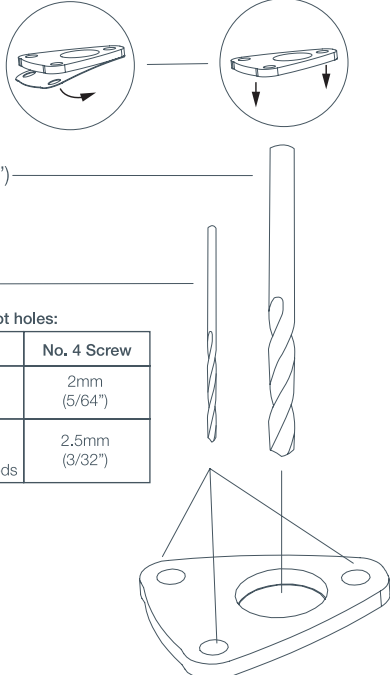
DE - Wähle Dichtung nahe dem Kabel ø.
IT - Scegliere il passafili adatto al ø del cavo.
ES - Elija el tapón con el diámetro más parecido al cable.
FR - Choisissez le joint le plus proche du diamètre du câble.



5

6

7



②

③ 10mm (0.39")

④

Suggested pilot holes:

Material	No. 4 Screw
Soft Material e.g. plywood	2mm (5/64")
Hard Material e.g. fiberglass, acrylic, hardwoods	2.5mm (3/32")

Share your installation with us.


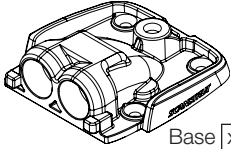
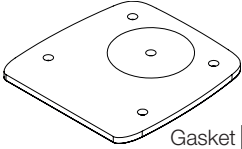

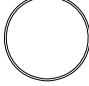
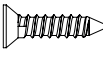
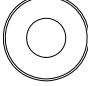
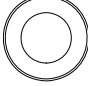



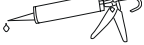


UK & International
+44 (0)1392 531280
sales@scanstrut.com

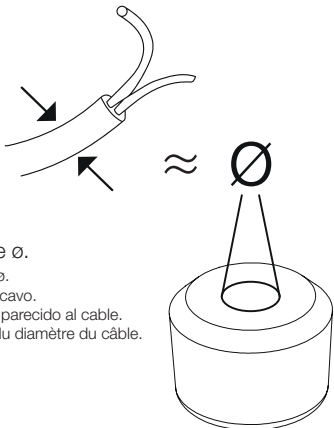
For further installation
and warranty information
please visit:
www.scanstrut.com

USA
+1 860 308 1416
usasales@scanstrut.com

SCANSTRUT

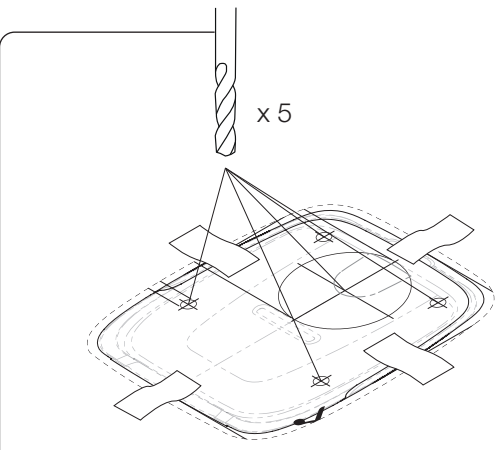
Parts List		
		
Shell x1	Base x1	Gasket x1
	M5X10 Bolt - (Black) x1	2x Blank 
	No. 6 X16 Self tapping screw x4	2x 5mm 
		2x 6mm 
		Bungs x6

Tools Required	
	Pozi Screwdriver
	Silicone
	ø2.5mm (3/32") ø3mm (1/8") Drill Bit
	ø25mm (1") Hole Saw/Drill Bit

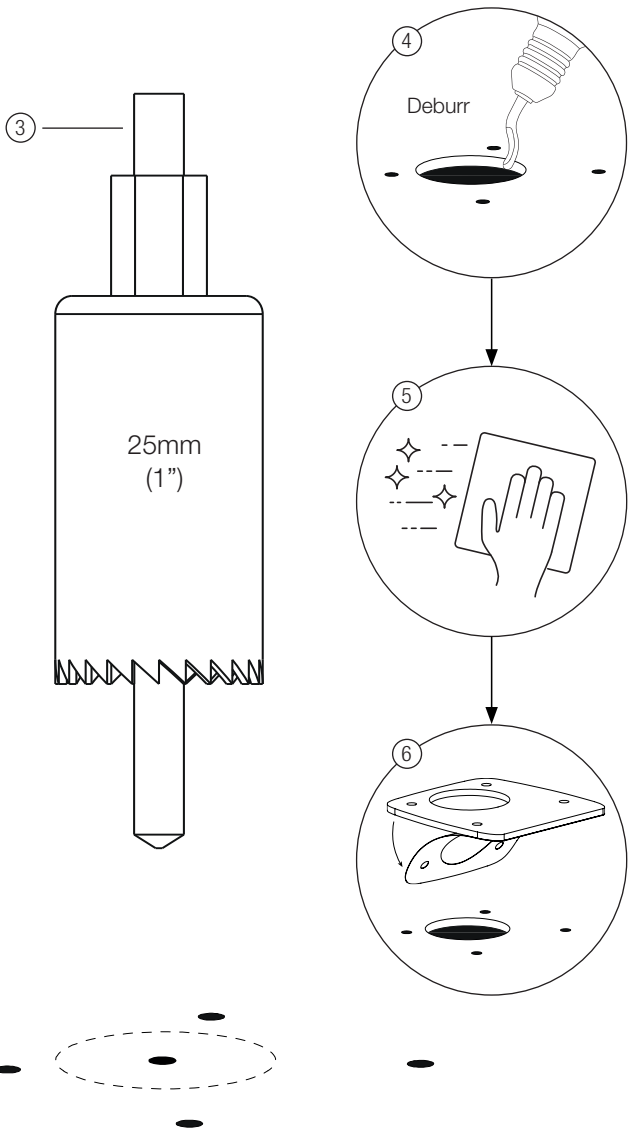


① Choose bung closest to cable ø.
 DE - Wähle Dichtung nahe dem Kabel ø.
 IT - Scegliere il passafili adatto al ø del cavo.
 ES - Elija el tapón con el diámetro más parecido al cable.
 FR - Choisissez le joint le plus proche du diamètre du câble.

②



Material	Drill	Fixing
Soft Material e.g. plywood	2.5mm (3/32")	No.6 Screw (Included)
Hard Material e.g. fiberglass, hardwoods, acrylics	3mm (1/8")	
Metal e.g. Steel, aluminium	3mm (1/8")	<u>Recommended</u> >12mm x M3 Countersunk Bolt with washer and Nyloc (Not included)



③ 25mm (1")

④ Deburr

⑤

⑥

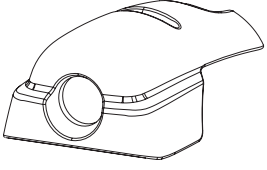
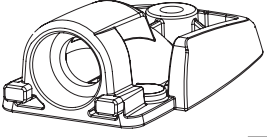
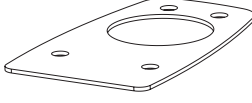

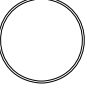
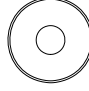





UK & International
 +44 (0)1392531280
 sales@scanstrut.com

For further installation and warranty information please visit:
 www.scanstrut.com

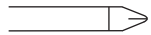



USA
 +1 860 308 1416
 usasales@scanstrut.com



Parts List

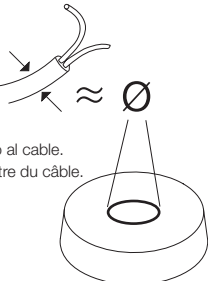
	Shell x1		Base x1		Gasket x1								
	M5X10 Bolt - (Black*) x1		Self Drill 6mm		7mm		8mm		9mm		10mm		Bungs x6
	No. 6X16 self tapping screw x4												

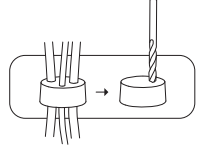
Tools Required


	Pozi Screwdriver		Silicone
	ø2.5mm (3/32") ø3mm (1/8") Drill Bit		ø25mm (1") Hole Saw/ Drill Bit

① Choose bung closest to cable ø.

DE - Wähle Dichtung nahe dem Kabel ø.
IT - Scegliere il passafili adatto al ø del cavo.
ES - Elija el tapón con el diámetro más parecido al cable.
FR - Choisissez le joint le plus proche du diamètre du câble.



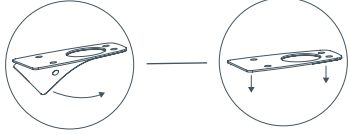
1a 

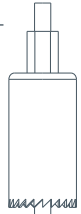
Tip: freeze before drilling  -18°C

$\pm 0.5mm$

4mm (0.16")

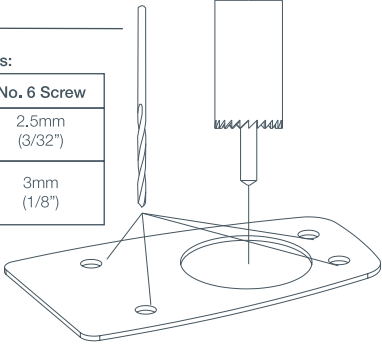
ø MAX. 10mm (0.39")
ø MIN. 2mm (0.07")

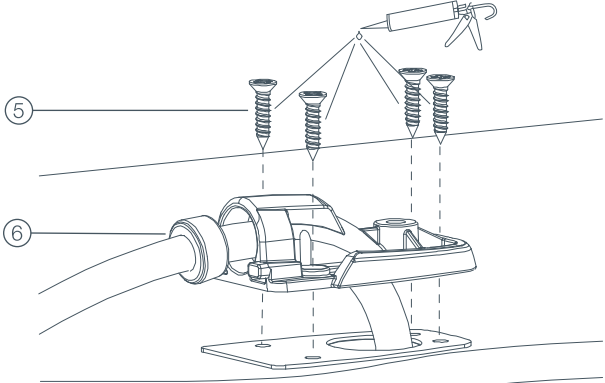
② 

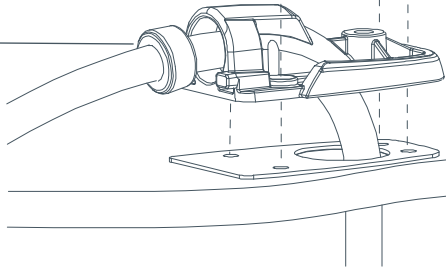
③ 25mm (1") 

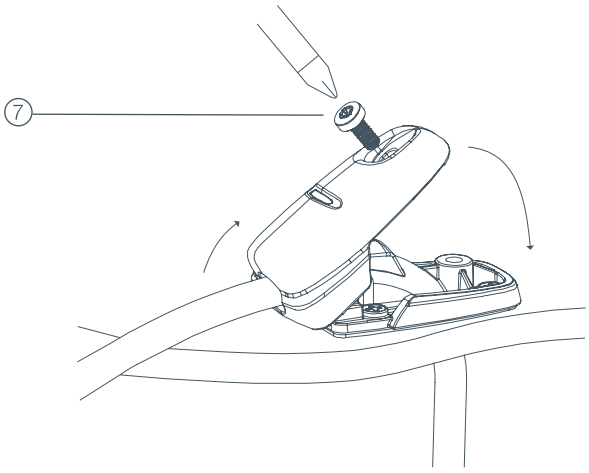
④ Suggested pilot holes:

Material	No. 6 Screw
Soft Material e.g. plywood	2.5mm (3/32")
Hard Material e.g. fiberglass, acrylic, hardwoods	3mm (1/8")



⑤ 

⑥ 

⑦ 

Share your installation with us.


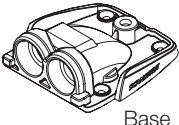
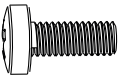


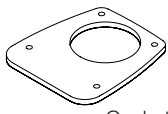



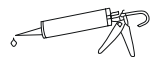


UK & International
+44 (0)1392 531280
sales@scanstrut.com

For further installation
and warranty information
please visit:
www.scanstrut.com

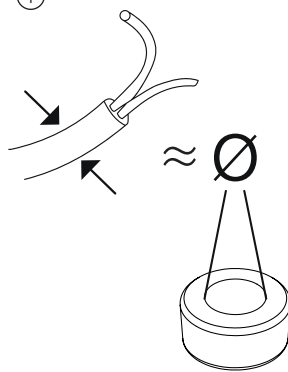
USA
+1 860 308 1416
usasales@scanstrut.com

SCANSTRUT®

Part List	
 Shell x1	 Base x1
 M5X 10 Bolt - (Black) x1	 2x Blank 2x 6mm 2x 7mm 2x 8mm 2x 9mm 2x 10mm
 No. 6 X16 Self tapping screw x4	 Gasket x1
	Bungs x6

Tools Required	
 Pozi Screwdriver	 Silicone
 ø2.5mm (3/32") ø3mm (1/8") Drill Bit	 ø32mm (1-1/4") Hole Saw/Drill Bit

①



Choose bung closest to cable ø.

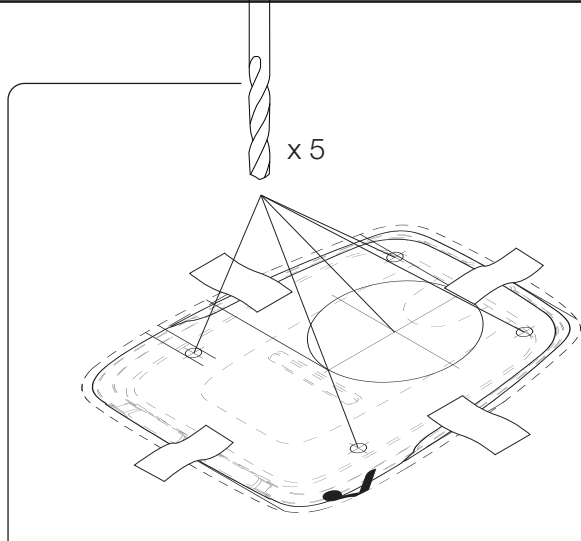
DE - Wähle Dichtung nahe dem Kabel ø.

IT - Scegliere il passafili adatto al ø del cavo.

ES - Elija el tapón con el diámetro más parecido al cable.

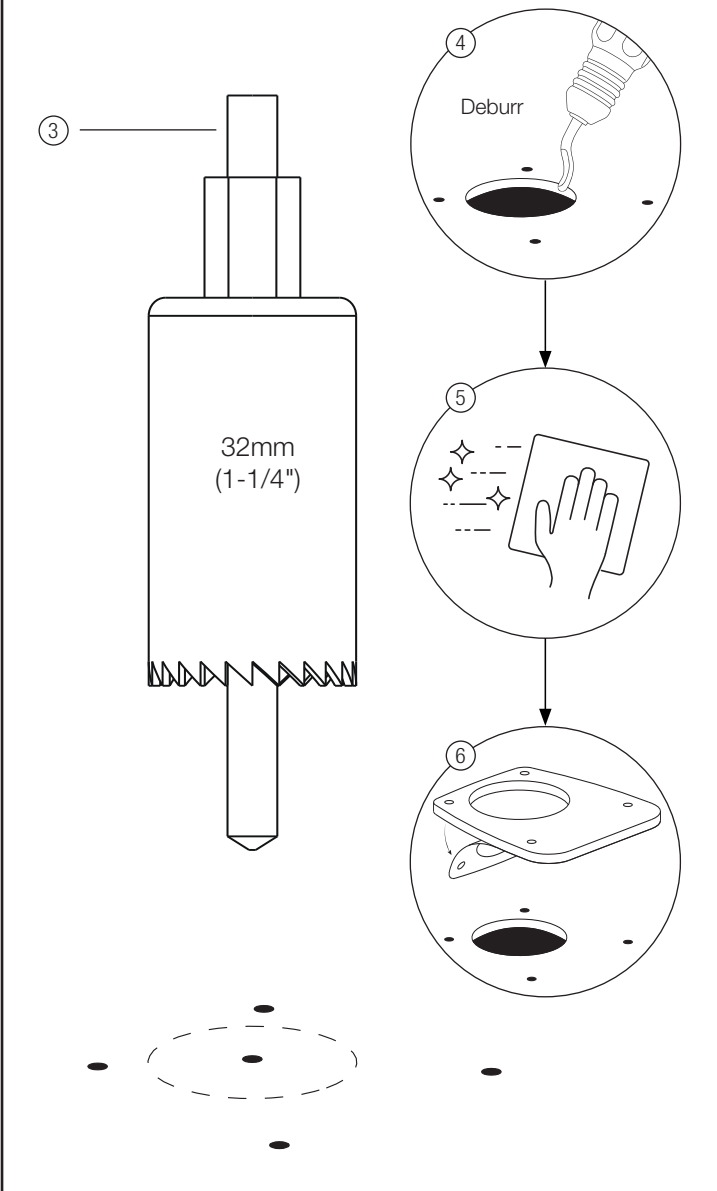
FR - Choisissez le joint le plus proche du diamètre du câble.

②



x 5

Material	Drill	Fixing
Soft Material e.g. plywood	2.5mm (3/32")	No.6 Screw (Included)
Hard Material e.g. fiberglass, hardwoods, acrylics	3mm (1/8")	
Metal e.g. Steel, aluminium	3mm (1/8")	<u>Recommended</u> >12mm x M3 Countersunk Bolt with washer and Nyloc (Not included)



32mm (1-1/4")

4 Deburr

5

6

UK & International
+44 (0)1392531280
sales@scanstrut.com

For further installation and warranty information please visit:
www.scanstrut.com

USA
+1 860 308 1416
usasales@scanstrut.com