



# SHURFLO TRAIL KING™ II

## RV/CARAVAN FRESH WATER PUMP – PRODUCT TECHNICAL DATA SHEET

OEM: 4009-101-A87  
 AFTERMARKET: 4009-101-B87



### APPLICATION:

Multi-fixture RV/Caravan fresh water pump installation.  
 This pump may be used for general fresh water transfer

### PUMP DESIGN:

Type: 4 Chamber Diaphragm pump  
 Ports: 1/2"-14 NPSM-Male  
 Liquid: 54°C [130°F] Max  
 Dry-Prime: 1.82M [6 Feet]  
 Run Dry: Yes  
 Inlet Pressure: 2.0 Bar Max [30 PSI Max]

### ELECTRICAL:

Motor: 12V DC Permanent Magnet, Intermittent Duty  
 Protection: Thermal Overload, Automatic Restart  
 Leads: 16 AWG, 25 cm [10"] Red +, 33 cm [13"] Black -  
 Fuse: 7 Amp Recommended  
 Control: Shut-Off 3.1 Bar [45 PSI] ± 0.13 Bar [2 PSI]  
 Re-start 2.06 Bar [30 PSI] ± 0.13 Bar [2 PSI]  
 Max By-Pass 3.58 Bar [52 PSI]

### MATERIALS OF CONSTRUCTION:

Housings: Polypro  
 Valves/Seals: EPDM  
 Diaphragm: Santoprene  
 Hardware: Stainless Steel and Zinc Plated Steel

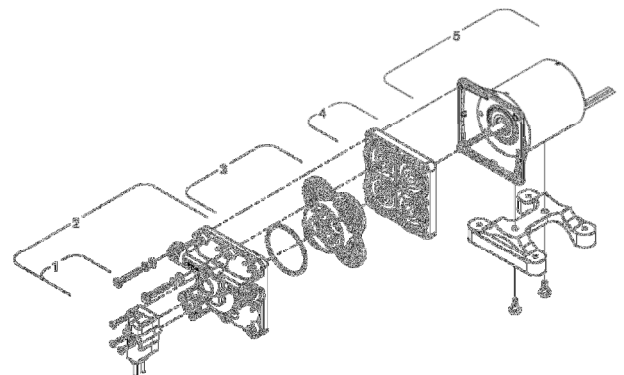
### AGENCY APPROVALS:

CSA, CE, e-Mark

### SHIPPING INFORMATION:

Approx. Net Weight: 2.3 Kg [5 lbs.] ea.  
 Carton Qty.: 12  
 Approx. Carton Weight: 27 Kg [60 lbs.]  
 Approx. Carton Size: 60.9 cm x 45.7 cm x 27.9 cm [ 24"L X 18"W X 11"H]

### REPAIR KITS



Number	Description	Part Number
*1	Pressure switch	94-890-02
*1,2	Upper assembly	94-890-08
3	Valve Assembly	94-800-01
4	Drive assembly	94-800-02
5	Motor	94-11-302-00CE
*1,2,3,4	Pump Head	94-890-06
Not Shown	Check Valve	94-800-03

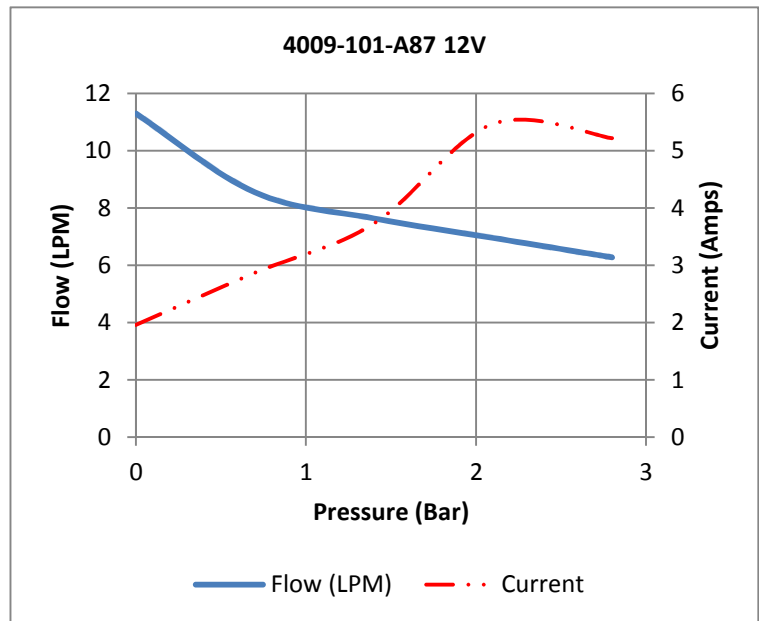
\*With preset switch adjustment

**RELATED DOCUMENTS:**

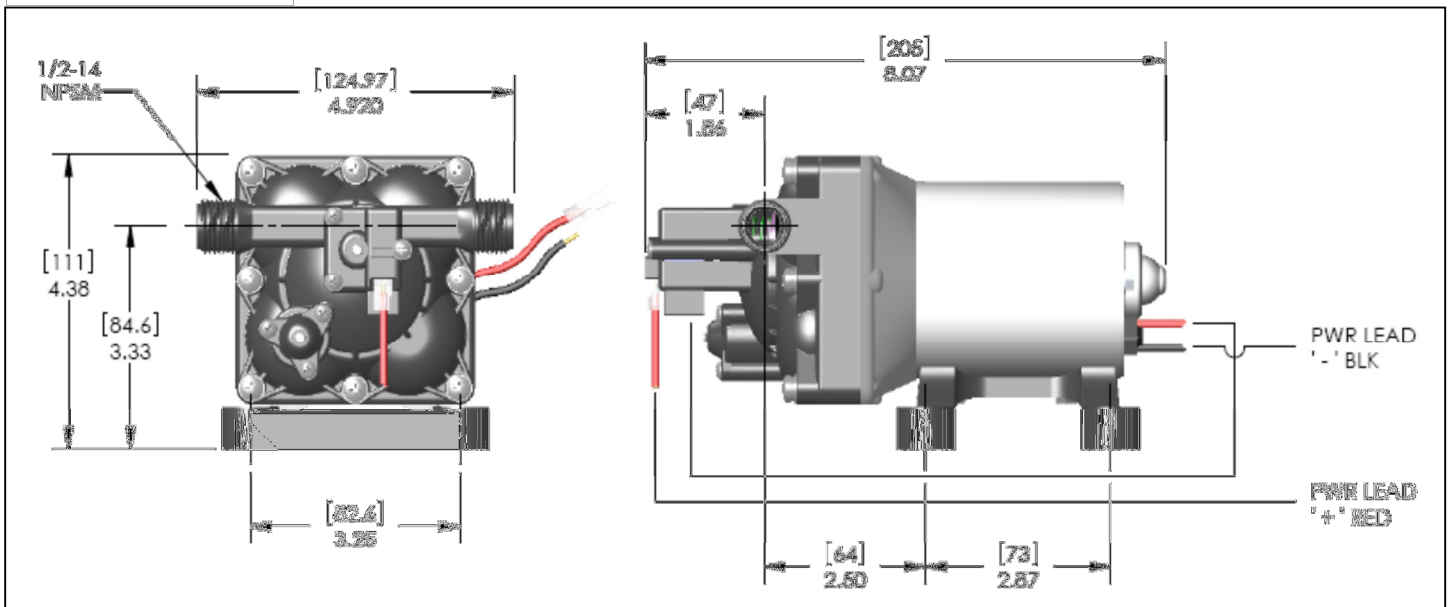
Catalog: MS-030-138  
 Application Spec Guide: MS-020-005  
 Installation Manual: 911-1038  
 Retail Warranty: 911-1044

**TYPICAL PERFORMANCE AT 12V**

PRESSURE		FLOW		CURRENT
BAR	PSI	GPM	LPM	AMPS
0	0	3.0	11.3	1.96
0.7	10	2.09	8.55	2.87
1.4	20	1.77	7.64	3.73
2.1	30	1.47	6.96	4.57
2.8	40	0.68	6.28	5.22



**DIMENSIONS [mm]**



**WATER PURIFICATION**

3545 Harbor Gateway South, Suite 103, Costa Mesa, CA 92626, (800) 854-3218 www.SHURFLO.com

All Pentair trademarks and logos are owned by Pentair, Inc. All other brand or product names are trademarks or registered marks of their respective owners. Because we are continuously improving our products and services, Pentair reserves the right to change specifications without prior notice. Pentair is an equal opportunity employer.