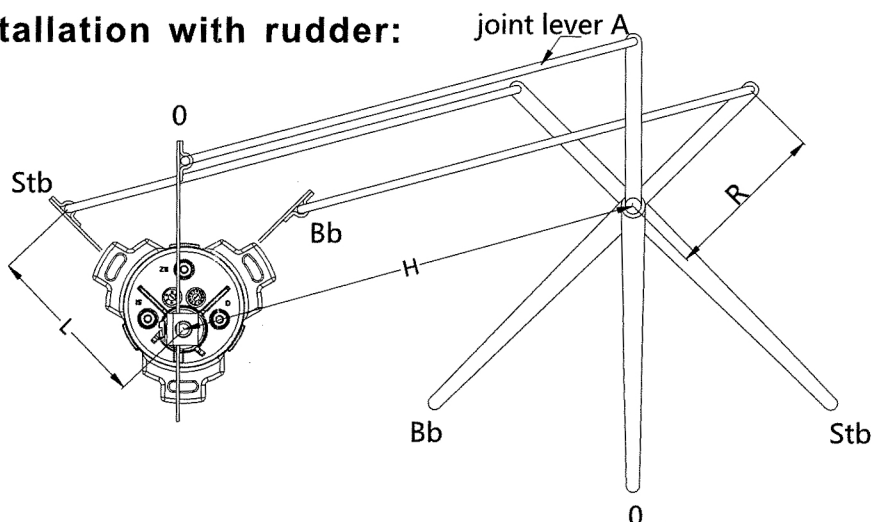


# INSTALLATION INSTRUCTIONS

## II. Connection and installation with rudder:

Bb=Rudder to Port  
 0=Rudder in Centre  
 Stb=Rudder to Starboard



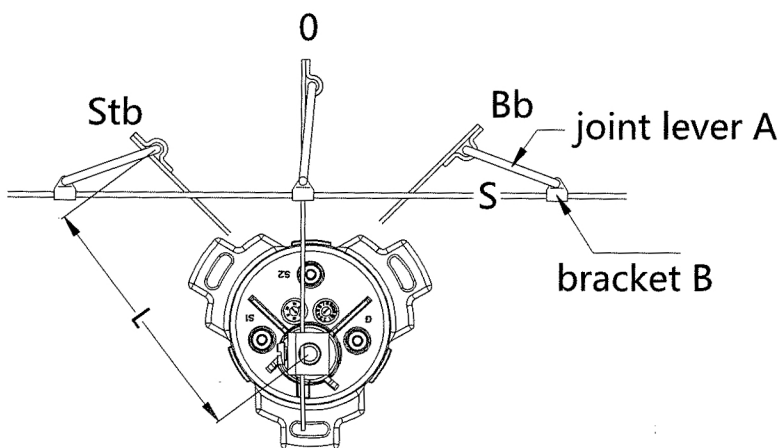
### Installation:

1. Install the rudder sensor next to the rudder on boat, connect the R with the spindle L on Rudder sensor with joint lever A (joint lever A is prepared by user). Length of the joint lever A is almost the same as the distance between the rudder and the axis of the sensor (H);
2. When the installation position of the sensor and the length of joint lever A are fixed, you can adjust the spindle L to the same length as that for rudder R;
3. After connecting the parts, make sure the rudder can not move towards the full rudder direction when the sensor displays full rudder, so the sensor can be prevented from being damaged and avoid giving wrong indications.

**Note:** Above Installation is only for reference.

## III. Connection with the cable:

Bb=Rudder to Port  
 0=Rudder in Centre  
 Stb=Rudder to Starboard



### Installation:

1. Install the Rudder sensor in proper position, connect the sensor and cable S with joint lever A and bracket B (joint lever A and bracket B are prepared by users);
2. When the installation position of the sensor and the length of joint lever A are fixed, you can adjust the spindle L to the same length as that of joint lever A;
3. After connecting the parts, make sure cable S can not move towards the full rudder direction when the sensor displays full rudder, so the sensor can be prevented from being damaged and avoid giving wrong indication.

**Note:** Above Installation is only for reference.